

$\text{Ø}1.59$ Thru (4x)
 $\text{Ø}.25$ Pad plating 50uIN Au Over 150uIN Ni (128x)
 $\text{Ø}1.620 \pm .015$ non plated thru Drill & Ream (2x)

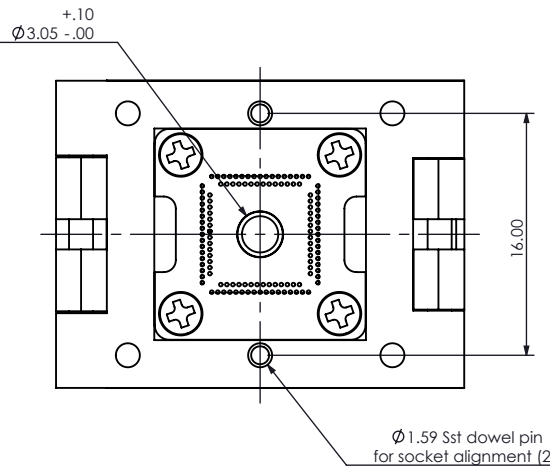
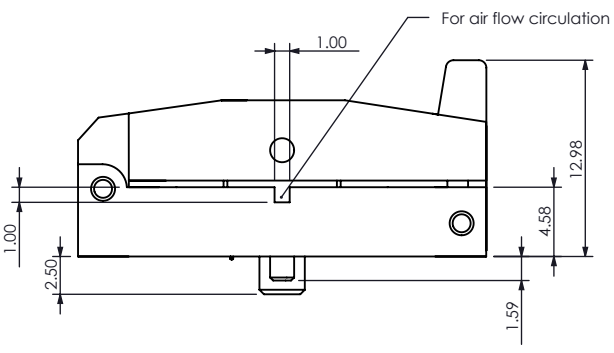
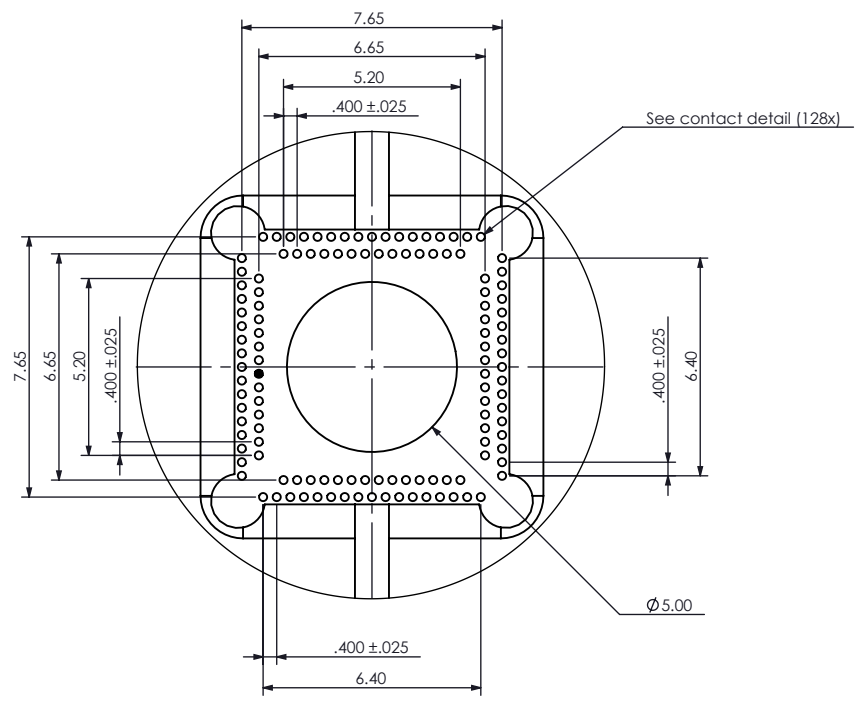
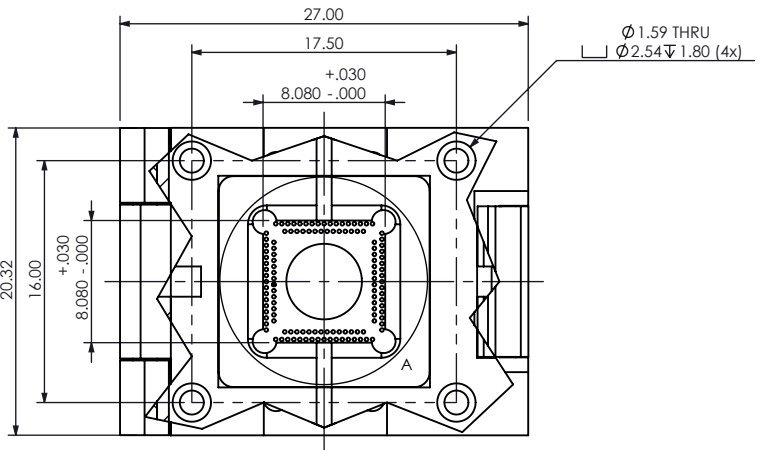
UNLESS OTHERWISE SPECIFIED		DSGN BY	V MOJICA	DATE	08/07/09
DIMENSIONS ARE IN MILLIMETERS TOLERANCES: ANGLES ± 1° X .±0.1 XX .±0.05 XXX .±0.025		DWNN BY	J PORTILLO	DATE	08/07/09
		CHK BY	V MOJICA	DATE	08/07/09
DIMENSIONAL LIMITS APPLY BEFORE PROCESSES REMOVE ALL BURRS AND SHARP EDGES		APVD BY	--	DATE	--
		APVD BY	--	DATE	--
MATERIAL		FINISH			



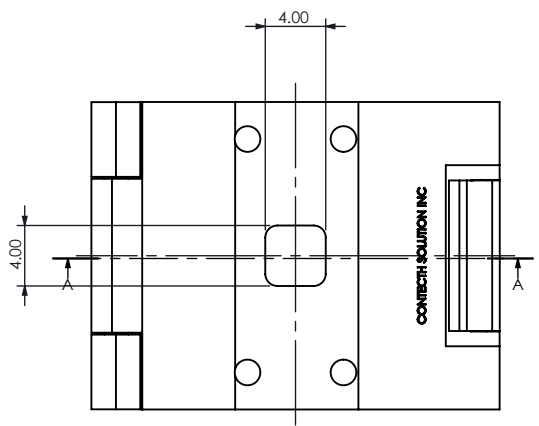
Contech Solutions Incorporated
 631 Montague Avenue
 San Leandro, CA 94577

Footprint drawing for semi custom socket 0.4mm pitch
 PN# CSLGA124-0-4-HS-RCS-IDT2

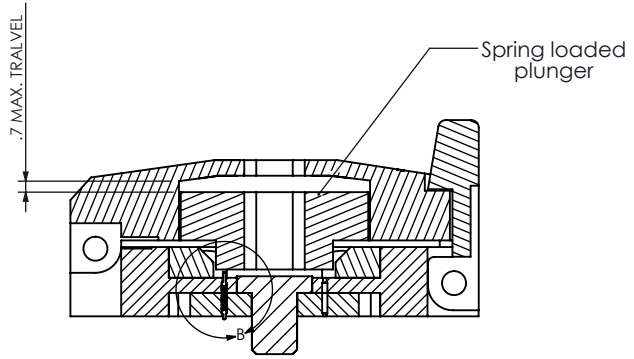
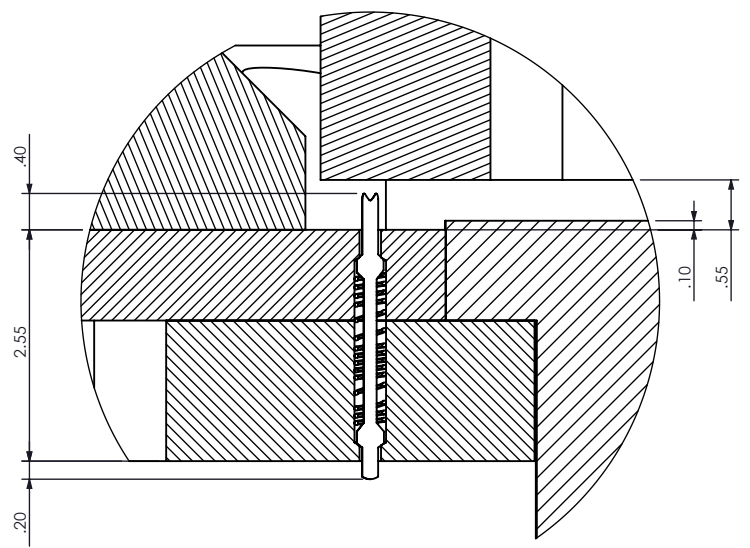
SIZE	FSCM #	DRAWING #	REV
A	----	CSLGA124_0_4_HS_IDT2_FTP	A
SCALE	-		SHEET 1 OF 4



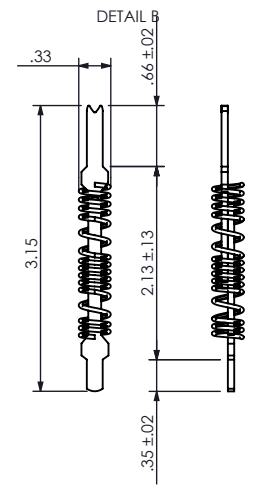
UNLESS OTHERWISE SPECIFIED DIMENSIONS ARE IN MILLIMETERS TOLERANCES: ANGLES $\pm 1^\circ$ X . ± 0.1 XX ± 0.05 XXX ± 0.025 DIMENSIONAL LIMITS APPLY BEFORE PROCESSES REMOVE ALL BURRS AND SHARP EDGES	DSGN BY	V MOJICA	DATE	08/07/09	Contech Solutions Incorporated 631 Montague Avenue San Leandro, CA 94577
	DWNN BY	J PORTILLO	DATE	08/07/09	
	CHK BY	V MOJICA	DATE	08/07/09	
	APVD BY	--	DATE	--	
MATERIAL	FINISH	APVD BY	--	DATE	--
Black Ultem 1000					
SIZE	FSCM #	DRAWING #	REV		
A	----	CSLGA124_0.4_HS_IDT2_SKT	A		08/07/09
SCALE	-				SHEET 2 OF 4



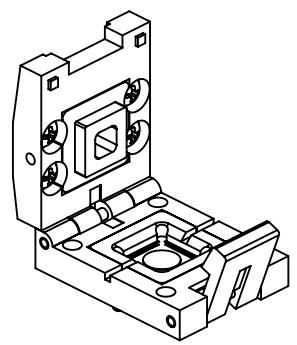
TOP VIEW



SECTION A-A



0.4 mm CONTACT

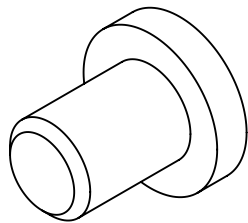
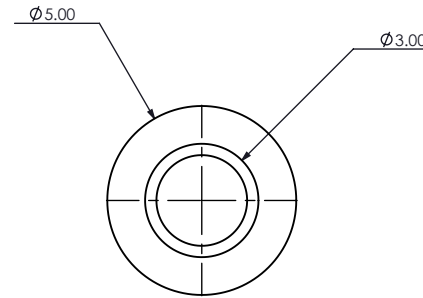
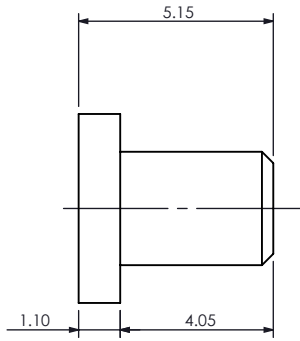



UNLESS OTHERWISE SPECIFIED		DSGN BY	V MOJICA	DATE	08/07/09
DIMENSIONS ARE IN MILLIMETERS TOLERANCES: ANGLES ± 1° X .01 XX .05 XXX .025		DWNN BY	J PORTILLO	DATE	08/07/09
DIMENSIONAL LIMITS APPLY BEFORE PROCESSES REMOVE ALL BURRS AND SHARP EDGES		CHK BY	V MOJICA	DATE	08/07/09
MATERIAL		APVD BY	--	DATE	--
Black Ultem 1000		APVD BY	--	DATE	--
FINISH					

CONTECH SOLUTION INC.
 Contech Solutions Incorporated
 631 Montague Avenue
 San Leandro, CA 94577

Drawing for semi custom socket 0.4mm pitch
 PN# CSLGA124-0.4-HS-RCS-IDT2

SIZE	FSCM #	DRAWING #	REV
A	----	CSLGA124_0.4_HS_IDT2_SKT2	A
SCALE	-		08/07/09
			SHEET 3 OF 4



UNLESS OTHERWISE SPECIFIED		DSGN BY	V MOJICA	DATE	08/07/09	 Contech Solutions Incorporated 631 Montague Avenue San Leandro, CA 94577	
DIMENSIONS ARE IN MILLIMETERS TOLERANCES: ANGLES ± 1° X .01° XX .05° XXX .025° DIMENSIONAL LIMITS APPLY BEFORE PROCESSES REMOVE ALL BURRS AND SHARP EDGES		DWNN BY	J PORTILLO	DATE	08/07/09		
		CHK BY	V MOJICA	DATE	08/07/09		
		APVD BY	--/--	DATE	--/--		
		APVD BY	--/--	DATE	--/--	Heat slug drawing for semi custom socket 0.4mm pitch PN# CSLGA124-0.4-HS-RCS-IDT2	
MATERIAL		FINISH		SIZE	FSCM #	DRAWING #	REV
Be-Cu		Gold plate Au over Ni		A	----	CSLGA124_0.4_HS_IDT2_HS	A
				SCALE	-		08/07/09
						SHEET 4 OF 4	