
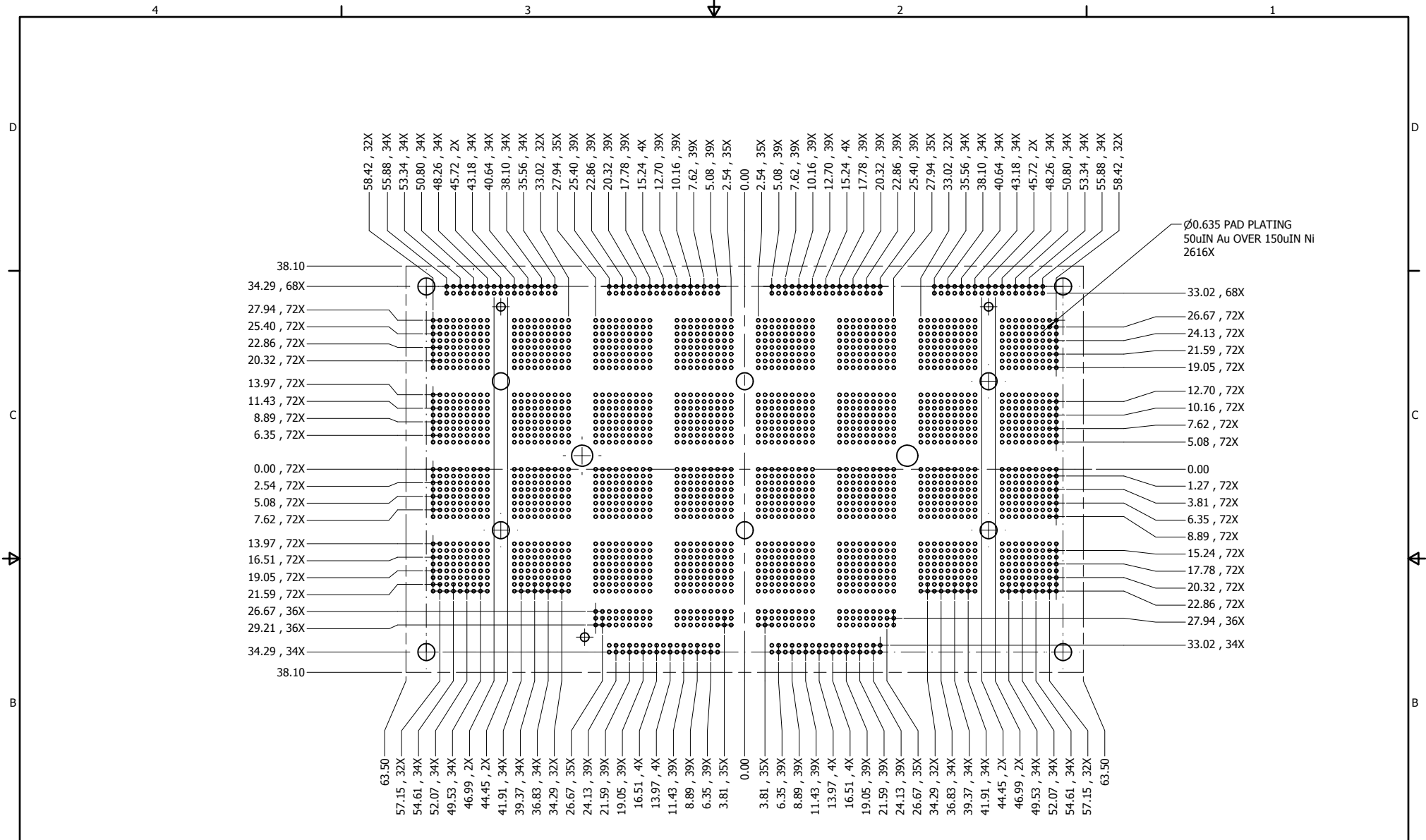



TOP SIDE VIEW  
SCALE 2 : 1

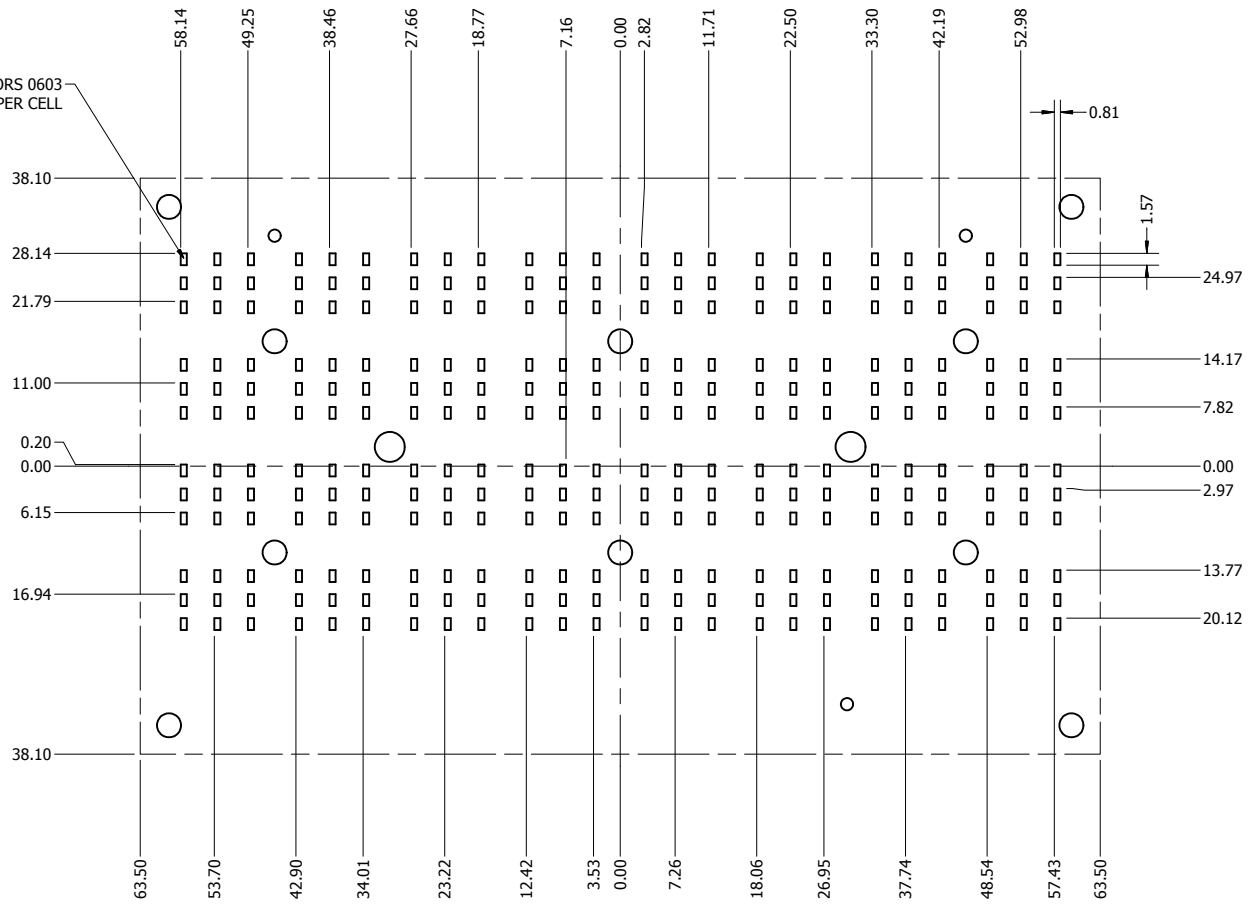
UNLESS OTHERWISE SPECIFIED DIMENSIONS ARE IN MILLIMETERS  TOLERANCES DECIMALS .X ± .1 .XX ± .05 .XXX ± .030  ANGLES ±1'	DRAWN	V Mojica	6/13/2013	 Contech Solutions Incorporated 631 Montague avenue San Leandro, Ca 94577	
	CHECKED	V Mojica	6/13/2013		
	QA			TITLE	
	MFG			SIZE	DWG NO
APPROVED			C		A
MATERIAL			SCALE		
					SHEET 1 OF 11




**TOP SIDE VIEW**  
**SCALE 2 : 1**

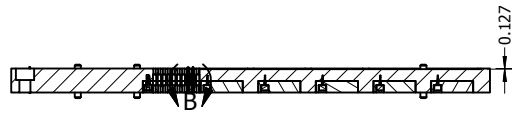
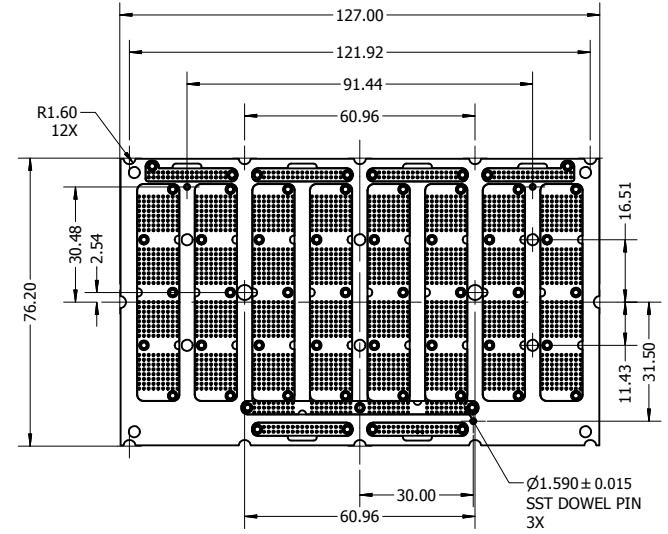
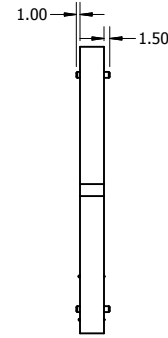
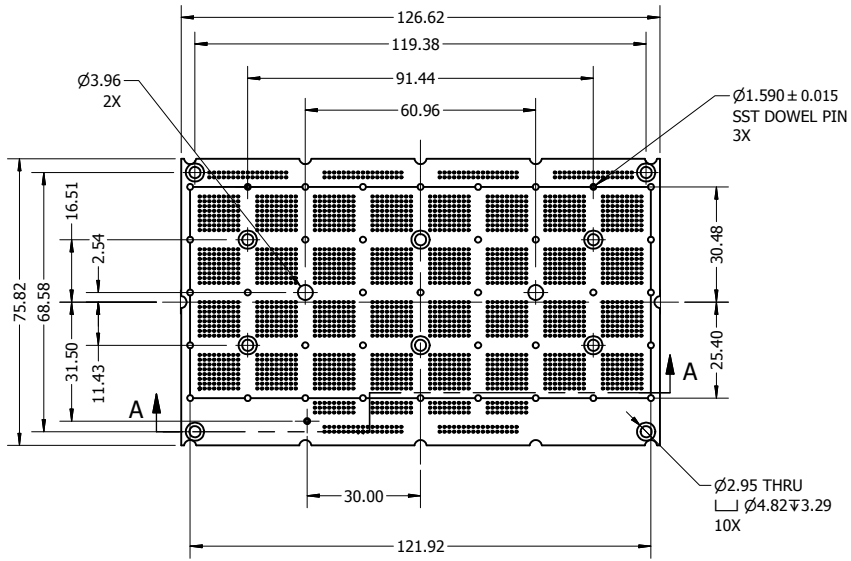
UNLESS OTHERWISE SPECIFIED DIMENSIONS ARE IN MILLIMETERS	DRAWN V Mojica	6/13/2013	 Contech Solutions Incorporated 631 Montague avenue San Leandro, Ca 94577
	CHECKED V Mojica	6/13/2013	
TOLERANCES DECIMALS .X ± .1 .XX ± .05 .XXX ± .030	QA		TITLE
ANGLES ±1°	MFG		SIZE C
	APPROVED		DWG NO
	MATERIAL		REV A
			SCALE
			SHEET 2 OF 11

CAPACITORS 0603  
9 PLACES PER CELL

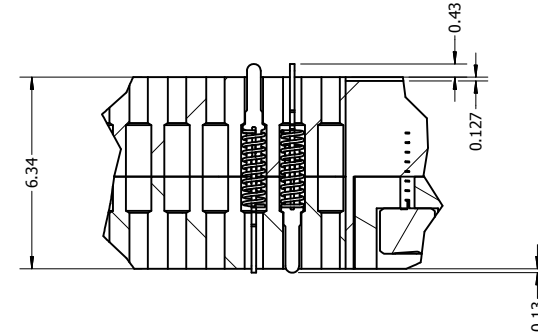


BOTTOM SIDE VIEW  
SCALE 2 : 1


UNLESS OTHERWISE SPECIFIED DIMENSIONS ARE IN MILLIMETERS  TOLERANCES DECIMALS .X ± .1 .XX ± .05 .XXX ± .030  ANGLES ±1'	DRAWN V Mojica	6/13/2013	 Contech Solutions Incorporated 631 Montague avenue San Leandro, Ca 94577		
	CHECKED V Mojica	6/13/2013			
	QA		TITLE		
	MFG		SIZE C	DWG NO	REV A
APPROVED		SCALE	SHEET 3 OF 11		
MATERIAL					

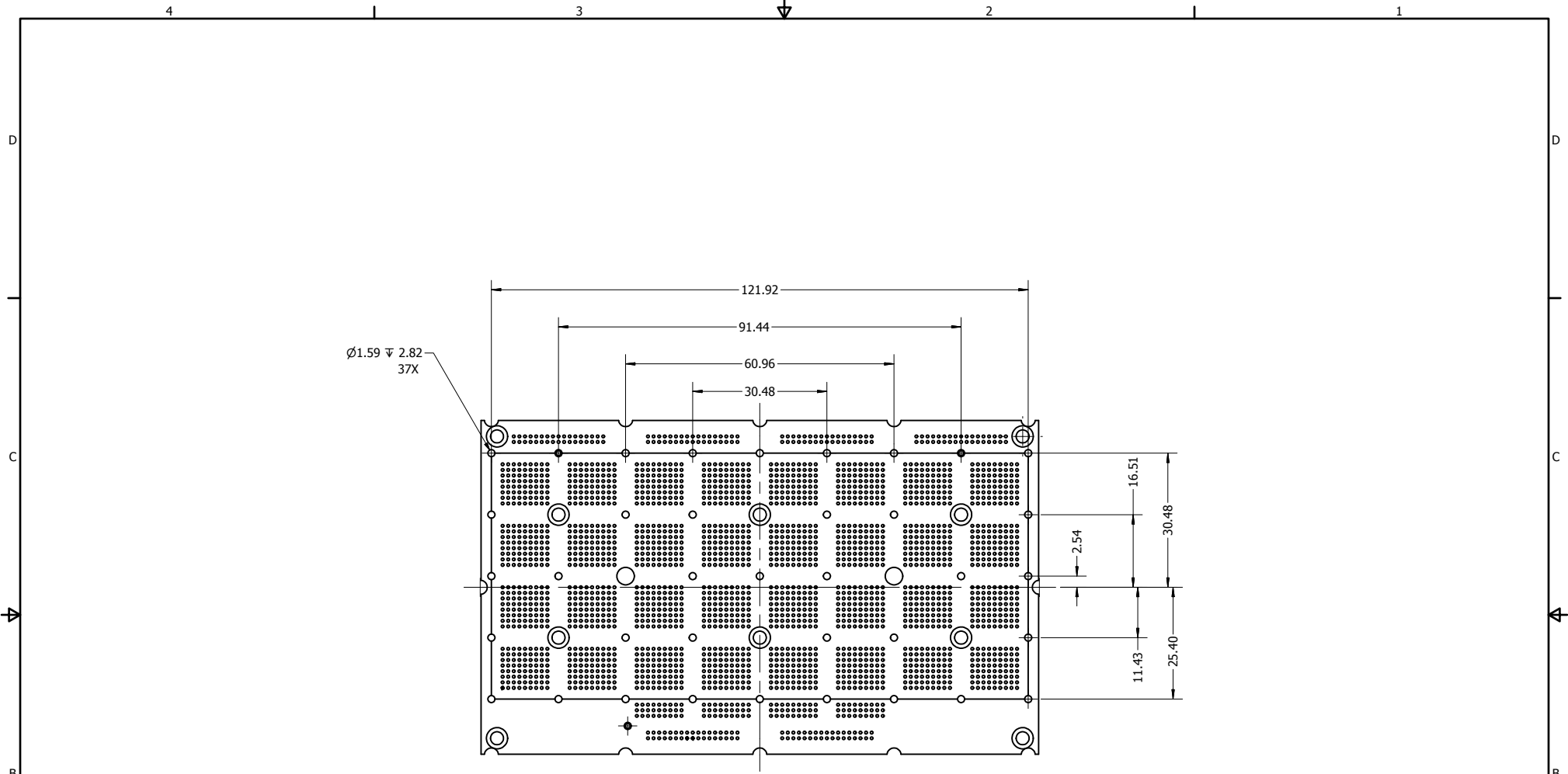



SECTION A-A  
SCALE 1 : 1

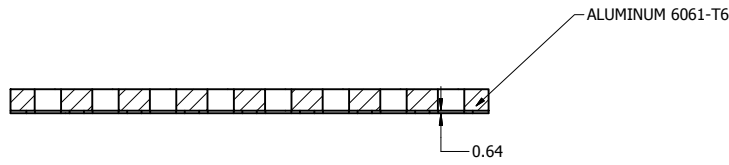
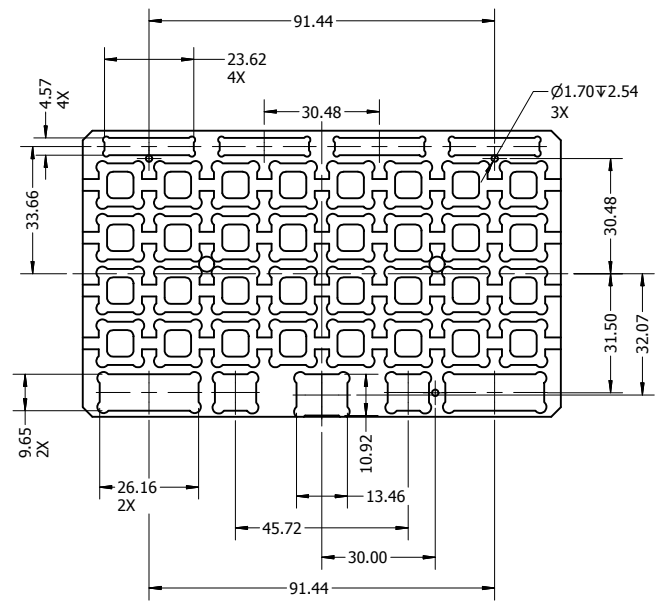
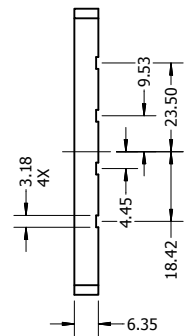
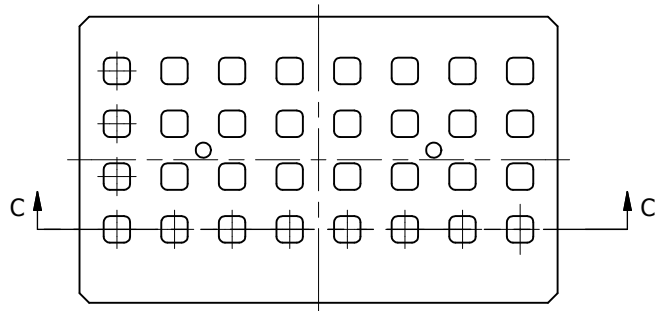


DETAIL B  
SCALE 8 : 1

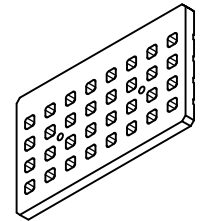
UNLESS OTHERWISE SPECIFIED DIMENSIONS ARE IN MILLIMETERS  TOLERANCES DECIMALS .X ± .1 .XX ± .05 .XXX ± .030  ANGLES ±1'	DRAWN V Mojica	6/13/2013	 Contech Solutions Incorporated 631 Montague avenue San Leandro, Ca 94577		
	CHECKED V Mojica	6/13/2013			
	QA		TITLE CUSTOM 1272 , ADAPTER		
	MFG		SIZE C	DWG NO	REV A
APPROVED		SCALE			
MATERIAL TORLON 4203					
					SHEET 4 OF 11




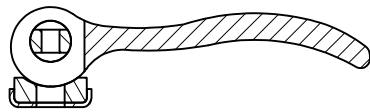
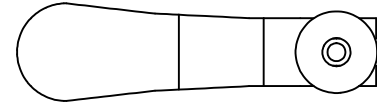
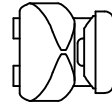
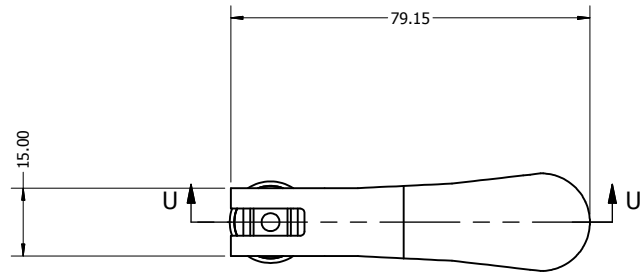
UNLESS OTHERWISE SPECIFIED DIMENSIONS ARE IN MILLIMETERS TOLERANCES DECIMALS .X ± .1 .XX ± .05 .XXX ± .030 ANGLES ±1'	DRAWN V Mojica 6/13/2013	 Contech Solutions Incorporated 631 Montague avenue San Leandro, Ca 94577	TITLE		
	CHECKED V Mojica 6/13/2013				QA
	MFG		SIZE	DWG NO	REV
	APPROVED		C		A
	MATERIAL		SCALE		
			SHEET 5 OF 11		



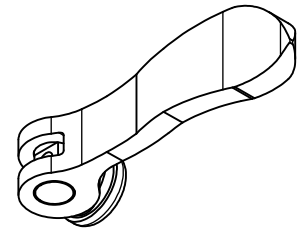
SECTION C-C  
SCALE 1 : 1




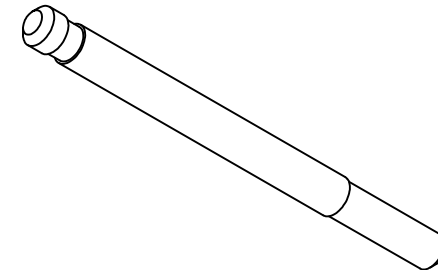
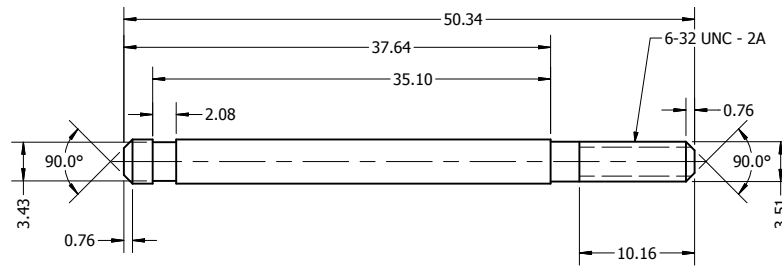
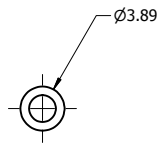
UNLESS OTHERWISE SPECIFIED DIMENSIONS ARE IN MILLIMETERS  TOLERANCES DECIMALS .X ± .1 .XX ± .05 .XXX ± .030  ANGLES ±1'	DRAWN V Mojica	6/13/2013	 Contech Solutions Incorporated 631 Montague avenue San Leandro, Ca 94577	TITLE	
	CHECKED V Mojica	6/13/2013		SIZE C	DWG NO
	QA				
	MFG				
APPROVED					
MATERIAL					




SECTION U-U  
SCALE 1.2 : 1

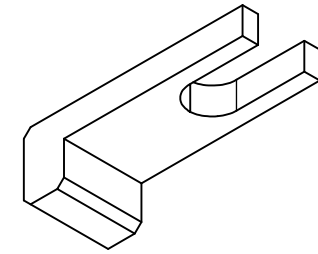
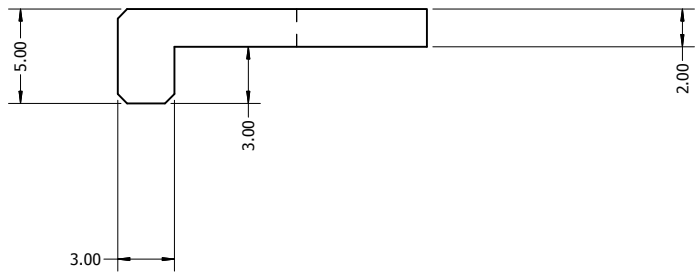
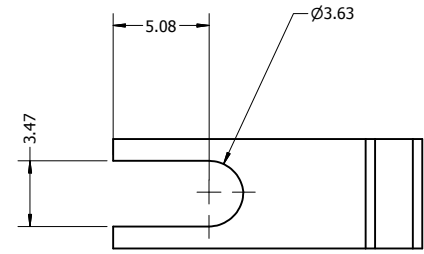
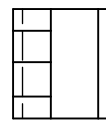
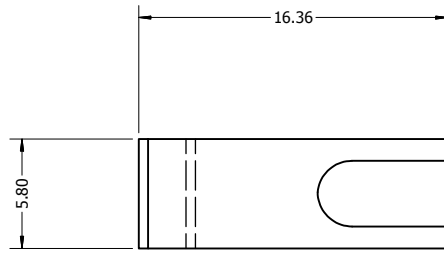



UNLESS OTHERWISE SPECIFIED DIMENSIONS ARE IN MILLIMETERS  TOLERANCES DECIMALS .X ± .1 .XX ± .05 .XXX ± .030  ANGLES ±1°	DRAWN	V Mojica	6/13/2013	 Contech Solutions Incorporated 631 Montague avenue San Leandro, Ca 94577					
	CHECKED	V Mojica	6/13/2013						
	QA			TITLE	CAM LEVER STAINLESS STEEL P# 04232-112A01-1				
	MFG			SIZE	C	DWG NO		REV	A
	APPROVED			SCALE					
	MATERIAL								
							SHEET 7 OF 11		

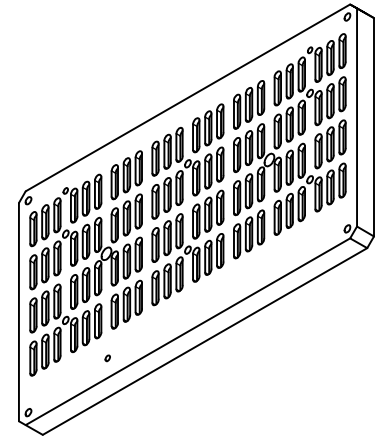
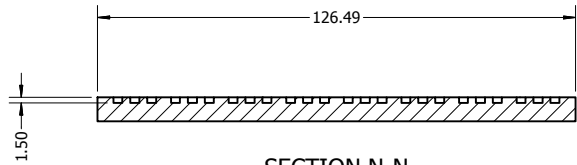
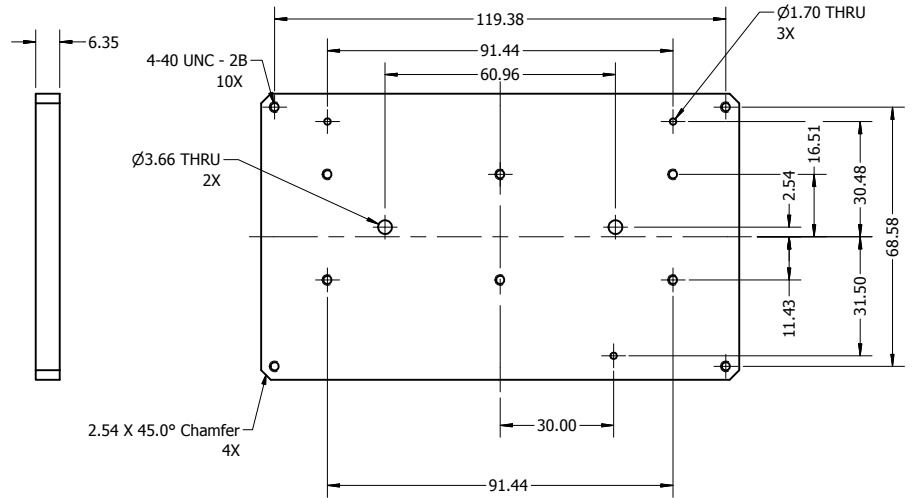
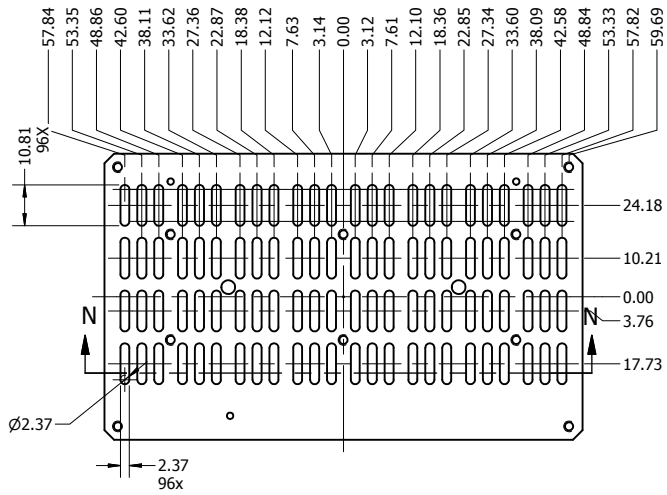


UNLESS OTHERWISE SPECIFIED DIMENSIONS ARE IN MILLIMETERS  TOLERANCES DECIMALS .X ± .1 .XX ± .05 .XXX ± .030  ANGLES ±1'	DRAWN	V Mojica	6/13/2013	 Contech Solutions Incorporated 631 Montague avenue San Leandro, Ca 94577					
	CHECKED	V Mojica	6/13/2013						
	QA			TITLE	STAINLESS STEEL PIN				
	MFG			SIZE	C	DWG NO		REV	A
	APPROVED			SCALE		SHEET 8 OF 11			






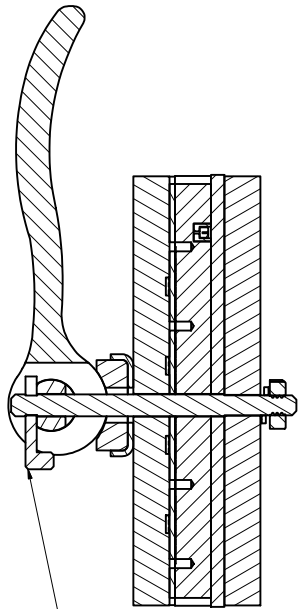
UNLESS OTHERWISE SPECIFIED DIMENSIONS ARE IN MILLIMETERS  TOLERANCES DECIMALS .X ± .1 .XX ± .05 .XXX ± .030  ANGLES ±1'	DRAWN V Mojica	6/13/2013	 Contech Solutions Incorporated 631 Montague avenue San Leandro, Ca 94577		
	CHECKED V Mojica	6/13/2013			
	QA		TITLE STAINLESS STEEL PIN LOCK		
	MFG		SIZE C	DWG NO	REV A
APPROVED		SCALE	SHEET 9 OF 11		
MATERIAL					



NOTES:  
ALUMINUM 6061-T6

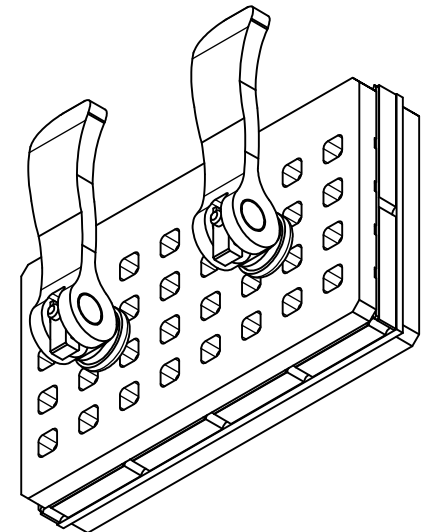
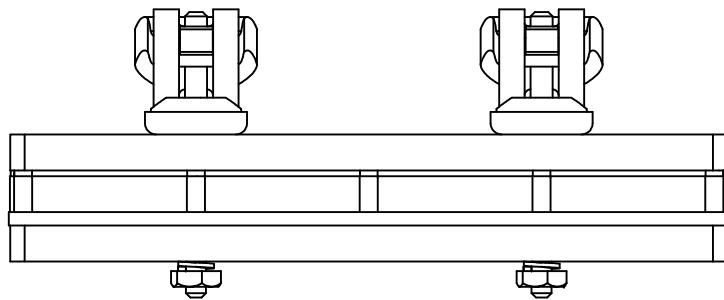
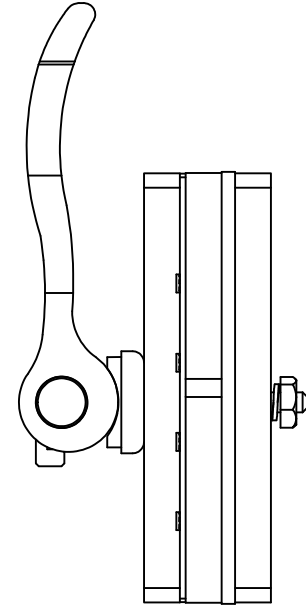
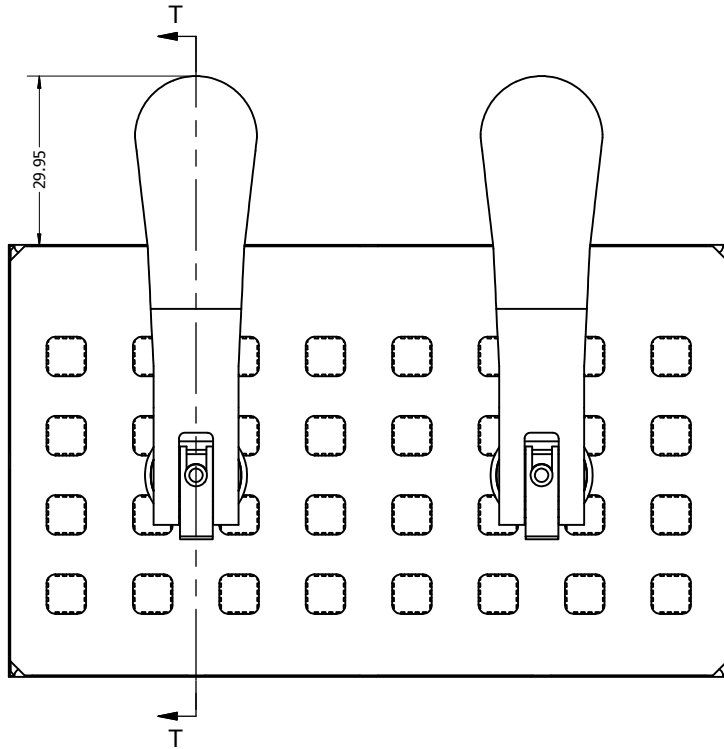
CONFIDENTIAL & PROPERTY OF CONTECH SOLUTIONS INC.


UNLESS OTHERWISE SPECIFIED DIMENSIONS ARE IN MILLIMETERS  TOLERANCES DECIMALS .X ± .1 .XX ± .05 .XXX ± .030  ANGLES ±1'	DRAWN V Mojica	6/13/2013	 Contech Solutions Incorporated 631 Montague avenue San Leandro, Ca 94577	
	CHECKED V Mojica	6/13/2013		
	QA		TITLE	
	MFG		SIZE C	DWG NO
APPROVED		SCALE	SHEET 10 OF 11	
MATERIAL				



REMOVABLE PIN LOCK

SECTION T-T  
SCALE 1.5 : 1



UNLESS OTHERWISE SPECIFIED DIMENSIONS ARE IN MILLIMETERS  TOLERANCES DECIMALS .X ± .1 .XX ± .05 .XXX ± .030  ANGLES ±1°	DRAWN	V Mojica	6/13/2013	 Contech Solutions Incorporated 631 Montague avenue San Leandro, Ca 94577		
	CHECKED	V Mojica	6/13/2013			
	QA			TITLE		
	MFG			SIZE	DWG NO	REV
	APPROVED			C		A
MATERIAL			SCALE	SHEET 11 OF 11		