
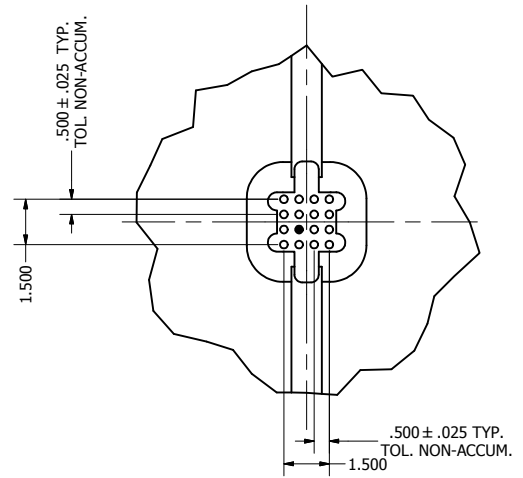
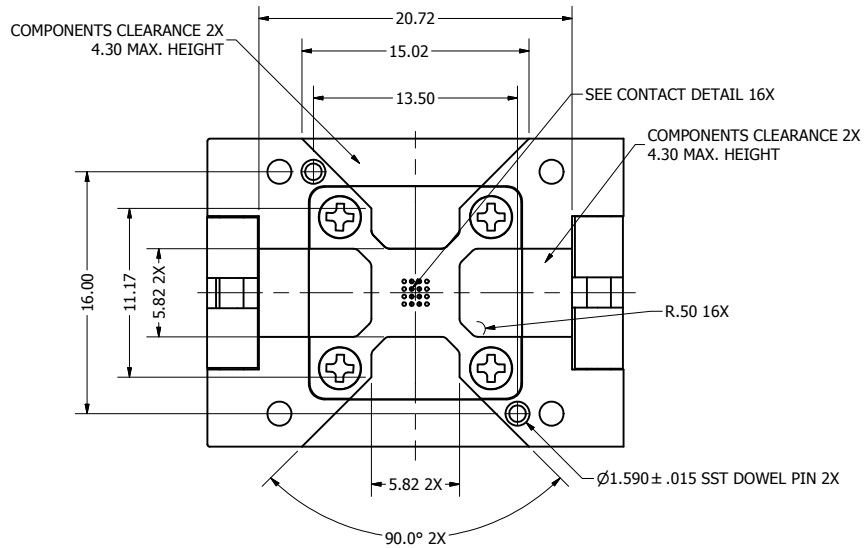
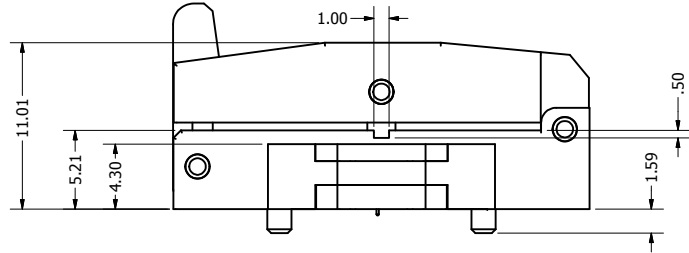
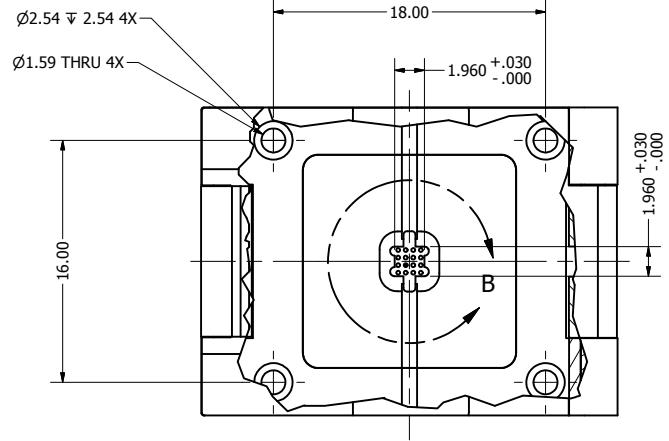



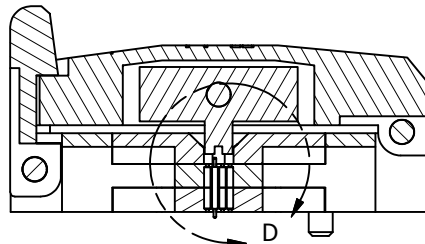
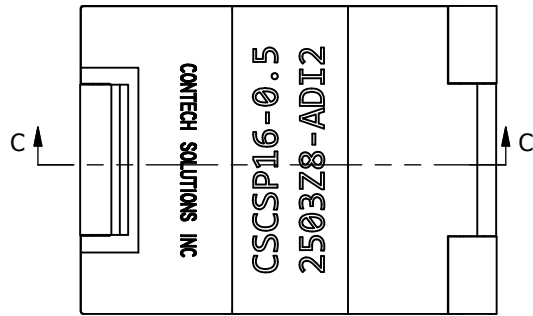
SUGGESTED BOARD LAY OUT
TOP VIEW

UNLESS OTHERWISE SPECIFIED DIMENSIONS ARE IN MILLIMETERS TOLERANCES DECIMALS .X ± .1 .XX ± .05 .XXX ± .030 ANGLES ±1'	DRAWN V Mojica	8/19/2009	 Contech Solutions Incorporated 631 Montague avenue San Leandro, Ca 94577		
	CHECKED V Mojica	8/19/2009			
	QA		TITLE FOOTPRINT DRAWING FOR CUSTOM SOCKET PN#CSCSP16-0.5-2503Z8-AD12		
	MFG		SIZE C	DWG NO CSCSP16_2503Z8_AD12	REV A
	APPROVED		SCALE	SHEET 1 OF 3	
MATERIAL					

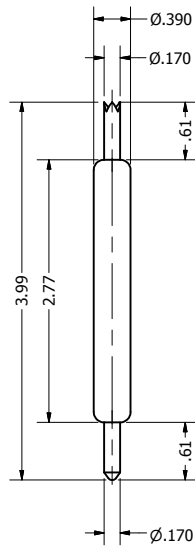


DETAIL B

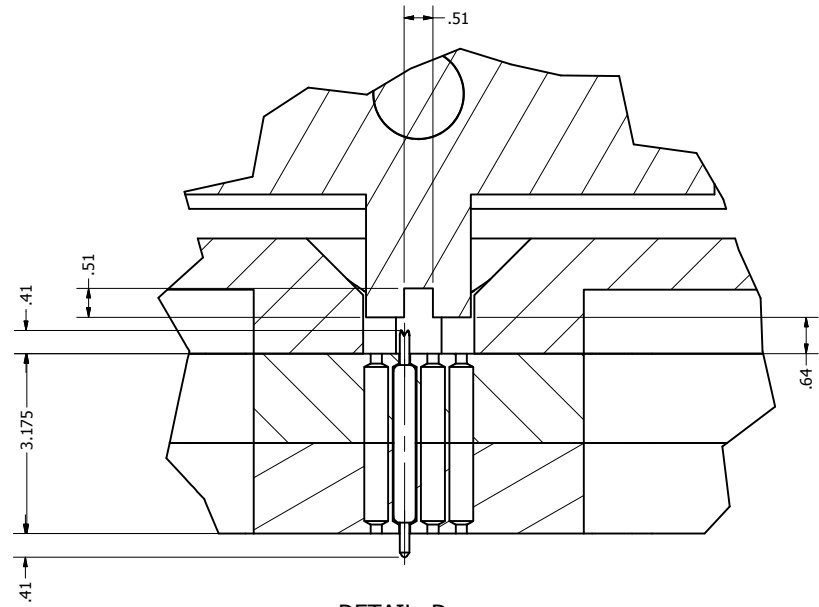
UNLESS OTHERWISE SPECIFIED DIMENSIONS ARE IN MILLIMETERS TOLERANCES DECIMALS .X ± .1 .XX ± .05 .XXX ± .030 ANGLES ±1'	DRAWN V Mojica	8/19/2009	 Contech Solutions Incorporated 631 Montague avenue San Leandro, Ca 94577		
	CHECKED V Mojica	8/19/2009			
	QA		TITLE DRAWING FOR SEMI-CUSTOM SOCKET PN#CSCSP16-0.5-2503Z8-AD12		
	MFG		SIZE C	DWG NO CSCSP16_2503Z8_AD12	REV A
APPROVED		SCALE			SHEET 2 OF 3
MATERIAL TORLON/PEI					



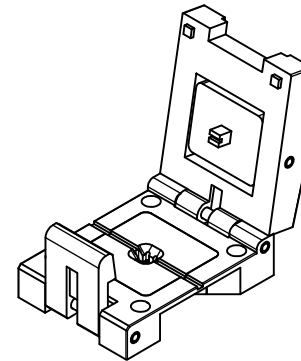
SECTION C-C




CONTACT DETAIL
CS2503-Z8



DETAIL D



UNLESS OTHERWISE SPECIFIED DIMENSIONS ARE IN MILLIMETERS TOLERANCES DECIMALS .X ± .1 .XX ± .05 .XXX ± .030 ANGLES ±1'	DRAWN V Mojica	8/19/2009	 Contech Solutions Incorporated 631 Montague avenue San Leandro, Ca 94577		
	CHECKED V Mojica	8/19/2009			
	QA		TITLE DRAWING FOR SEMI-CUSTOM SOCKET PN#CSCSP16-0.5-2503Z8-AD12		
	MFG		SIZE C	DWG NO CSCSP16_2503Z8_AD12	REV A
	APPROVED		SCALE		SHEET 3 OF 3