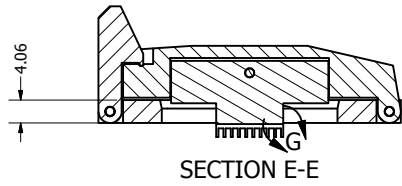
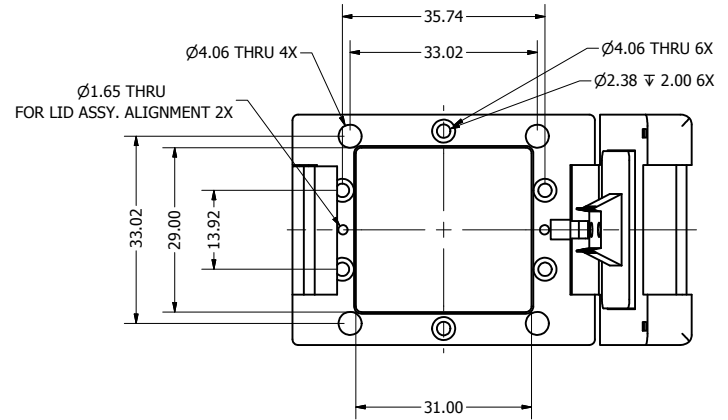
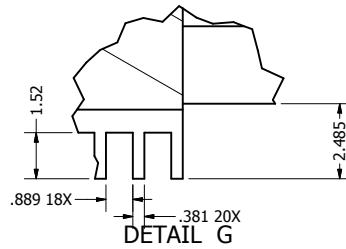


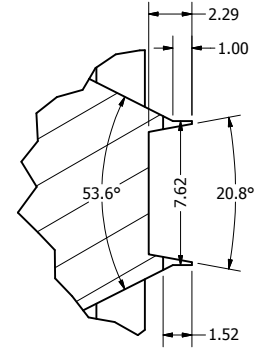
SECTION H-H



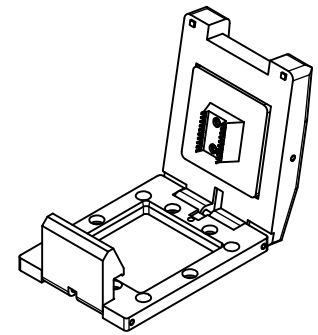
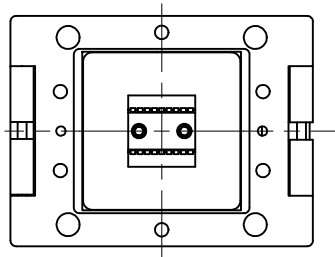
SECTION E-E




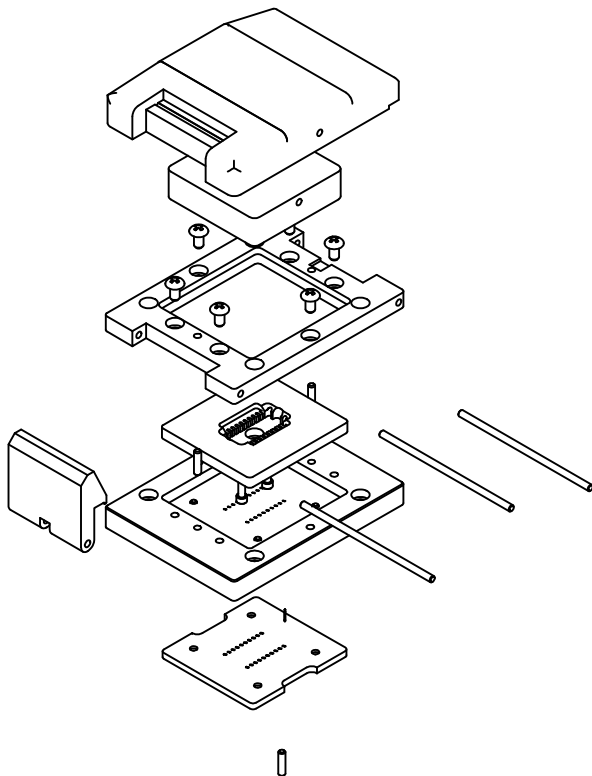
DETAIL G




DETAIL J



UNLESS OTHERWISE SPECIFIED DIMENSIONS ARE IN MILLIMETERS  TOLERANCES DECIMALS .X ± .1 .XX ± .05 .XXX ± .030  ANGLES ±1'	DRAWN V Mojica	9/2/2009	 Contech Solutions Incorporated 631 Montague avenue San Leandro, Ca 94577	
	CHECKED V Mojica	9/1/2009		
	QA		TITLE CUSTOM LID ASSEMBLY PN# CSSOP20-1.27-KEL-KG1030-IRC1	
	MFG		SIZE C	DWG NO CSSOP20_KEL_KG1030_IRC1
APPROVED		SCALE	SHEET 3 OF 5	
MATERIAL				



UNLESS OTHERWISE SPECIFIED DIMENSIONS ARE IN MILLIMETERS  TOLERANCES DECIMALS .X ± .1 .XX ± .05 .XXX ± .030  ANGLES ±1°	DRAWN	V Mojica	9/2/2009	 Contech Solutions Incorporated 631 Montague avenue San Leandro, Ca 94577				
	CHECKED	V Mojica	9/1/2009					
	QA			TITLE	ASSEMBLY DRAWING PN# CSSOP20-1.27-KEL-KG1030-IRC1			
	MFG			SIZE	C	DWG NO	CSSOP20_KEL_KG1030_IRC1	REV
APPROVED			SCALE		SHEET 4 OF 5			
MATERIAL								

4

3

2

1

D

D

C

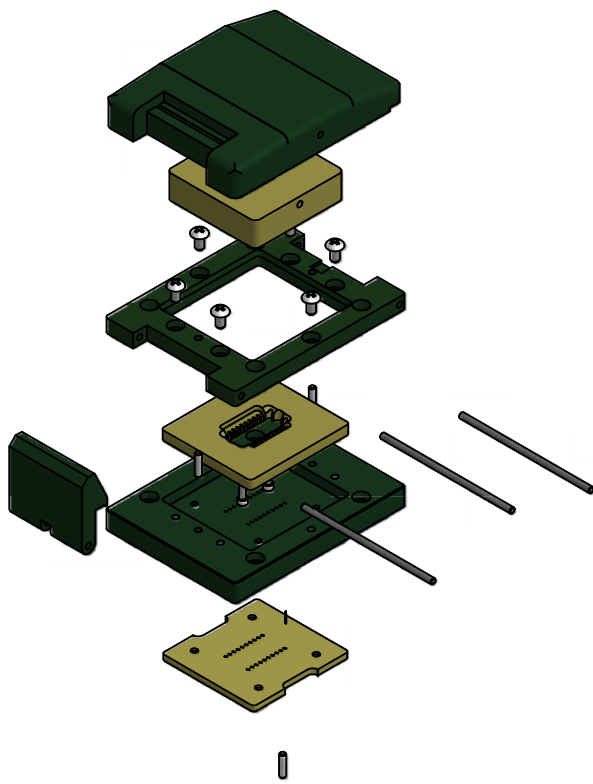
C


B

B

A

A



UNLESS OTHERWISE SPECIFIED DIMENSIONS ARE IN MILLIMETERS  TOLERANCES DECIMALS .X ± .1 .XX ± .05 .XXX ± .030  ANGLES ±1'	DRAWN V Mojica	9/2/2009	 Contech Solutions Incorporated 631 Montague avenue San Leandro, Ca 94577
	CHECKED V Mojica	9/1/2009	
	QA		TITLE ASSEMBLY DRAWING PN# CSSOP20-1.27-KEL-KG1030-IRC1
	MFG		SIZE C
APPROVED		DWG NO CSSOP20_KEL_KG1030_IRC1	REV A3
MATERIAL		SCALE	SHEET 5 OF 5

4

3

2

1

