
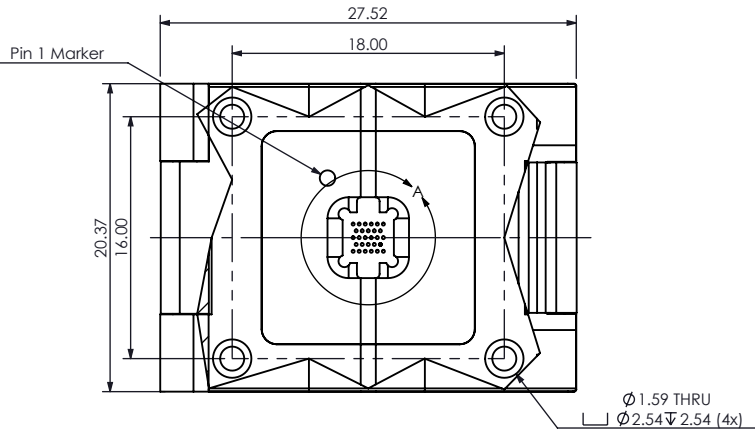
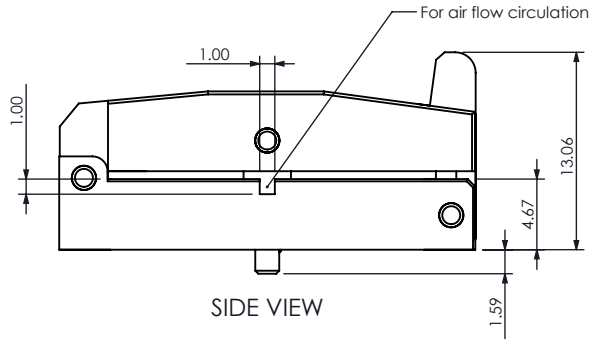


TOP VIEW

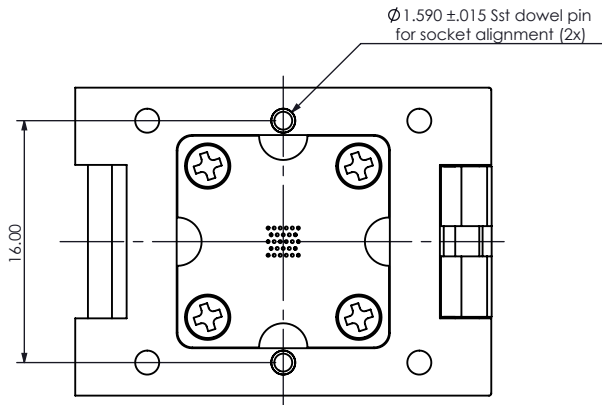
UNLESS OTHERWISE SPECIFIED		DSGN BY	V MOJICA	DATE	09/28/09	 Contech Solutions Incorporated 631 Montague Avenue San Leandro, CA 94577
DIMENSIONS ARE IN MILLIMETERS TOLERANCES: ANGLES ± 1° X .051 XX .05 XXX .025		DWNN BY	J PORTILLO	DATE	09/28/09	
DIMENSIONAL LIMITS APPLY BEFORE PROCESSES REMOVE ALL BURRS AND SHARP EDGES		CHK BY	V MOJICA	DATE	09/28/09	
MATERIAL		APVD BY	--	DATE	--	
		APVD BY	--	DATE	--	Footprint drawing for semi custom socket 28 pins PN# CSCSP28-0.4-KG1-MC1
SIZE	FSCM #	DRAWING #		REV		
A	----	CSCSP28_KG1_MC1_FTP		A	09/28/09	
SCALE	-			SHEET 1 OF 3		



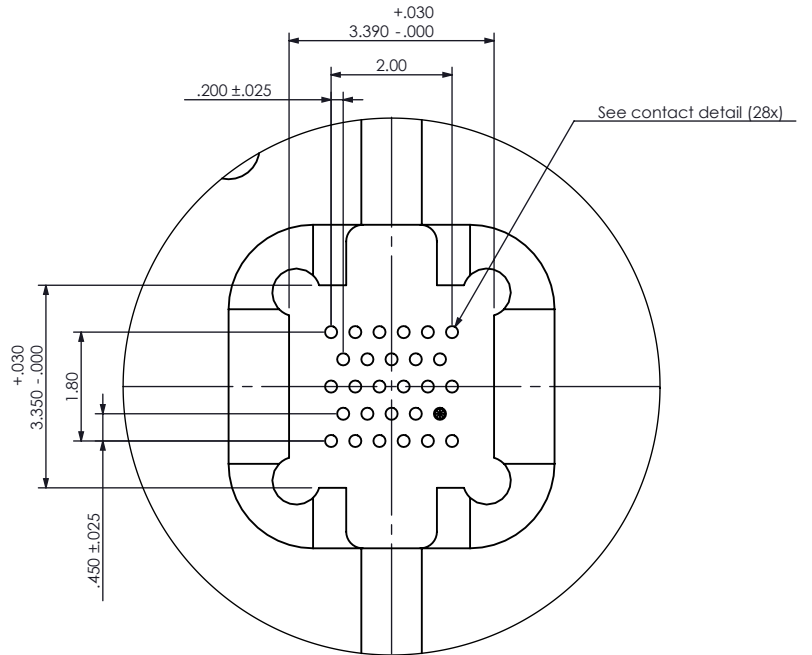
TOP VIEW



SIDE VIEW



BOTTOM VIEW



DETAIL A

UNLESS OTHERWISE SPECIFIED DIMENSIONS ARE IN MILLIMETERS TOLERANCES: ANGLES ± 1° X .051 XX .05 XXX .025 DIMENSIONAL LIMITS APPLY BEFORE PROCESSES REMOVE ALL BURRS AND SHARP EDGES	DSGN BY	V MOJICA	DATE	09/28/09
	DWNN BY	J PORTILLO	DATE	09/28/09
	CHK BY	V MOJICA	DATE	09/28/09
	APVD BY	--/--	DATE	--/--
	APVD BY	--/--	DATE	--/--
MATERIAL	Torlon/Black Ultem			
FINISH				

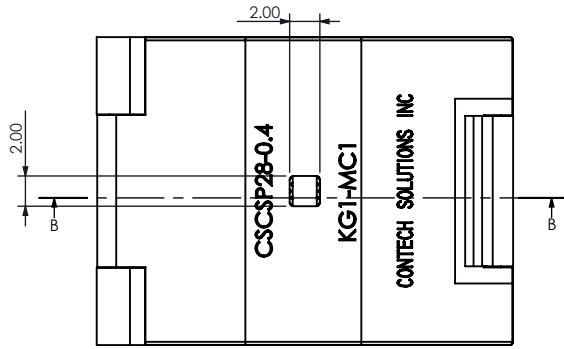


Contech Solutions Incorporated  
 631 Montague Avenue  
 San Leandro, CA 94577

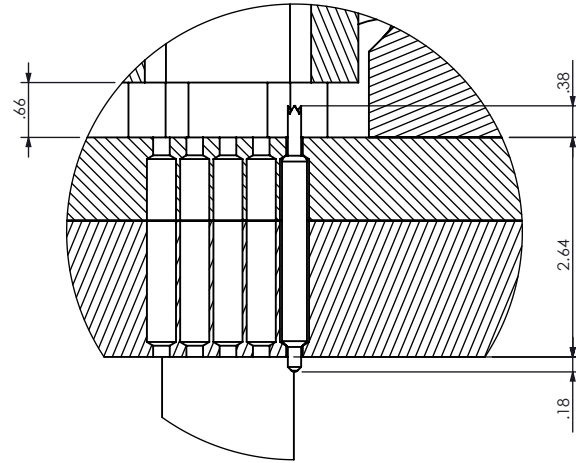
Drawing for semi custom socket 28 pins

PN# CSCSP28-0.4-KG1-MC1

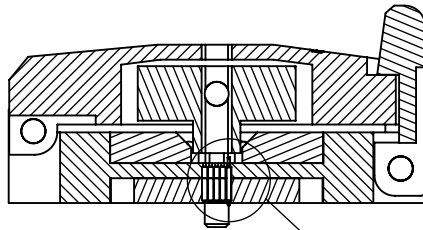
SIZE	FSCM #	DRAWING #	REV
A	----	CSCSP28_KG1_MC1_SKT	A
SCALE	-		09/28/09
			SHEET 2 OF 3



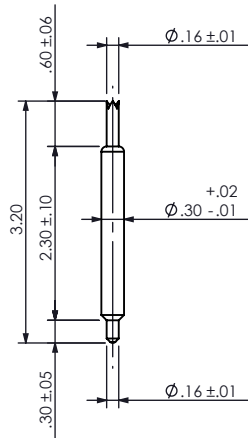
TOP VIEW



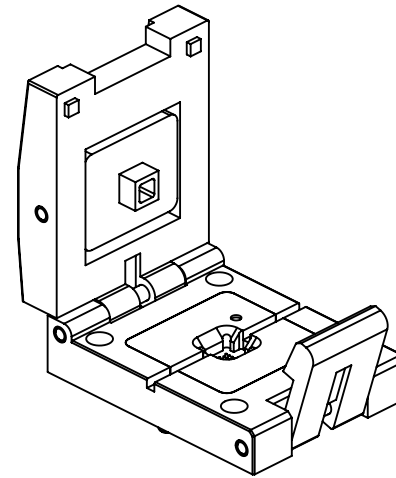
DETAIL C




SECTION B-B



CONTACT DETAIL  
KG1030



UNLESS OTHERWISE SPECIFIED DIMENSIONS ARE IN MILLIMETERS TOLERANCES: ANGLES ± 1° X .051 XX .05 XXX .025 DIMENSIONAL LIMITS APPLY BEFORE PROCESSES REMOVE ALL BURRS AND SHARP EDGES	DSGN BY	V MOJICA	DATE	09/28/09	 Contech Solutions Incorporated 631 Montague Avenue San Leandro, CA 94577
	DWNN BY	J PORTILLO	DATE	09/28/09	
	CHK BY	V MOJICA	DATE	09/28/09	
	APVD BY	--	DATE	--	
	APVD BY	--	DATE	--	Drawing for semi custom socket 28 pins PN# CSCSP28-0.4-KG1-MC1
MATERIAL	FINISH				SIZE FSCM # DRAWING # A ---- CSCSP28_KG1_MC1_SKT2
Torlon/Black Ultem					REV A 09/28/09
SCALE				-	SHEET 3 OF 3