

TOP VIEW

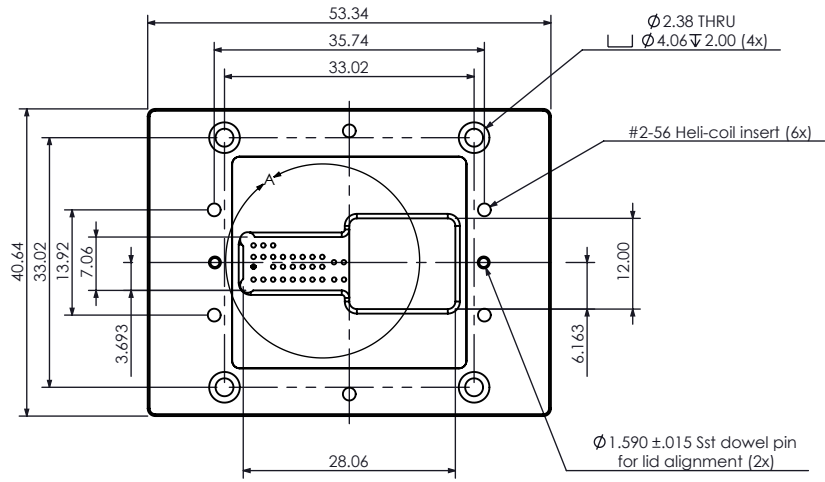
CONFIDENTIAL AND PROPERTY OF CONTECH SOLUTION INC.

UNLESS OTHERWISE SPECIFIED		DSGN BY	V MOJICA	DATE	07/09/09
DIMENSIONS ARE IN MILLIMETERS TOLERANCES: ANGLES ± 1° X .#01 XX .#05 XXX .#025		DWNN BY	J PORTILLO	DATE	07/09/09
DIMENSIONAL LIMITS APPLY BEFORE PROCESSES REMOVE ALL BURRS AND SHARP EDGES		CHK BY	V MOJICA	DATE	07/09/09
MATERIAL		APVD BY	--	DATE	--
FINISH		APVD BY	--	DATE	--
SIZE	FSCM #	DRAWING #		REV	
A	----	30SYL2010_RCS_SYND1_FTP		A	
SCALE	-			SHEET 1 OF 6	

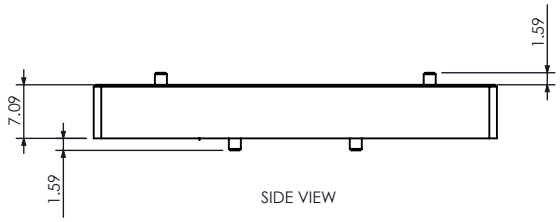


Contech Solutions Incorporated
631 Montague Avenue
San Leandro, CA 94577

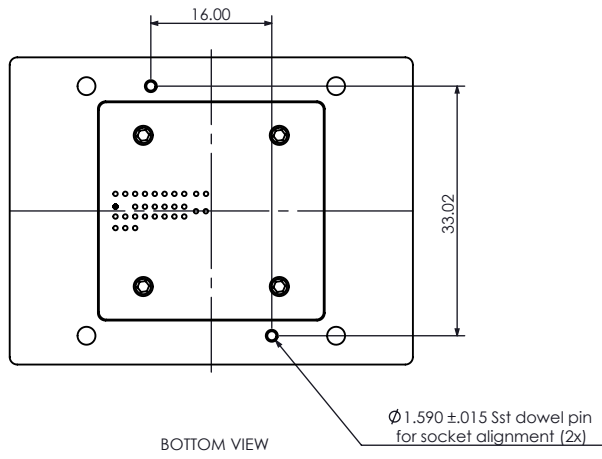
Footprint drawing for semi custom socket 30 pins
PN# 30SYL2010-RCS-SYND1



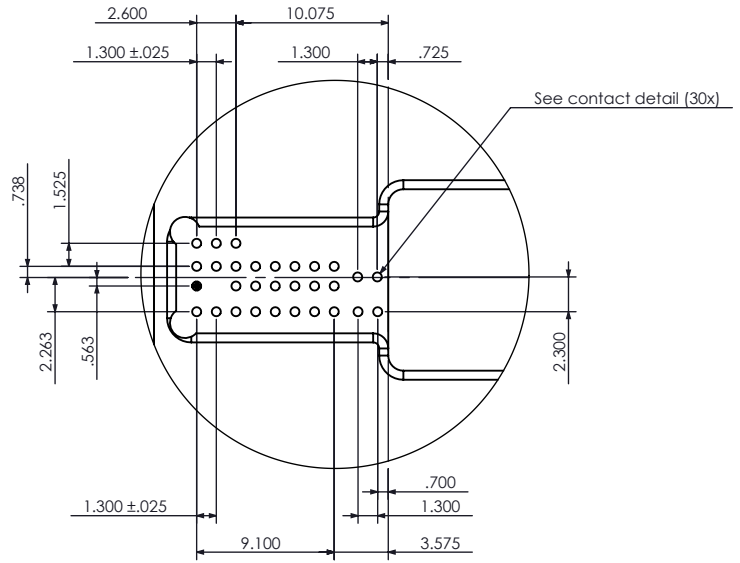
TOP VIEW




SIDE VIEW

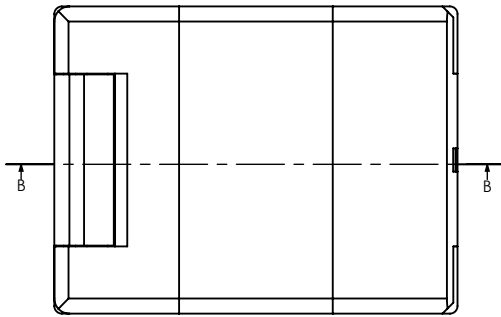


BOTTOM VIEW

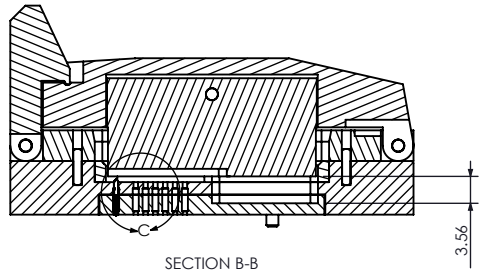


DETAIL A

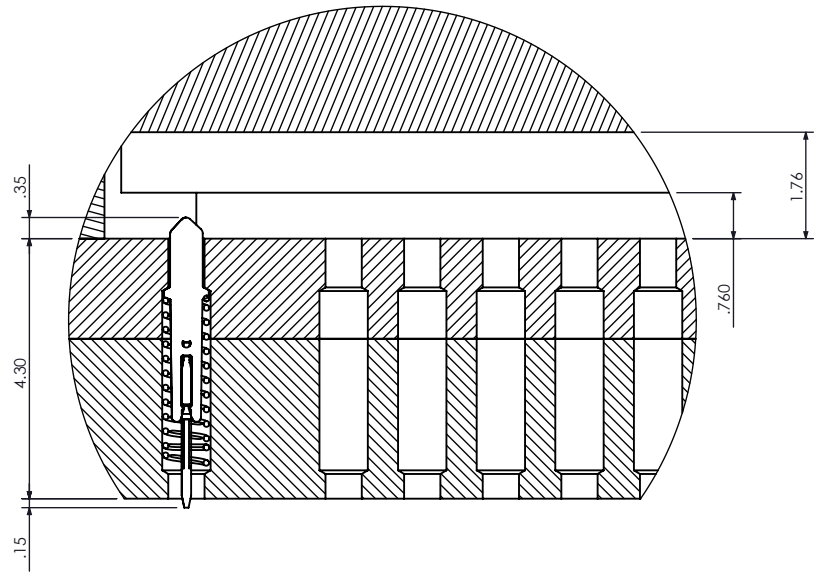
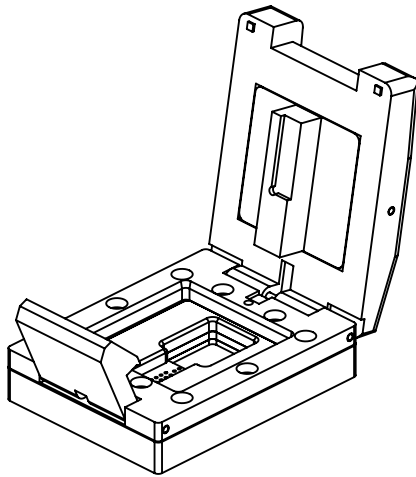
UNLESS OTHERWISE SPECIFIED		DSGN BY	V MOJICA	DATE	07/09/09	 Contech Solutions Incorporated 631 Montague Avenue San Leandro, CA 94577
DIMENSIONS ARE IN MILLIMETERS TOLERANCES: ANGLES ± 1°		DWNN BY	J PORTILLO	DATE	07/09/09	
X .#01 XX .#05 XXX .#025		CHK BY	V MOJICA	DATE	07/09/09	
DIMENSIONAL LIMITS APPLY BEFORE PROCESSES		APVD BY	--	DATE	--	
REMOVE ALL BURRS AND SHARP EDGES		APVD BY	--	DATE	--	
MATERIAL	Pei/Torlon	FINISH				Drawing for semi custom socket 30 pins PN# 30SYL2010-RCS-SYND1
SIZE	A	FSCM #	----	DRAWING #	30SYL2010_RCS_SYND1_SKT	REV A 07/09/09
SCALE	-					SHEET 2 OF 6



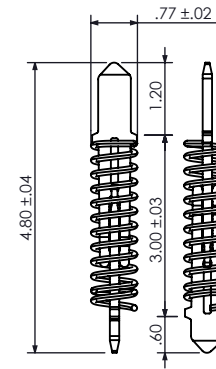
TOP VIEW




SECTION B-B

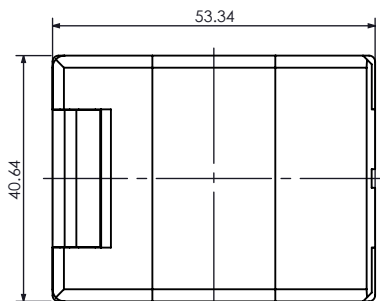


DETAIL C

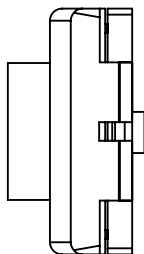


1.00mm RCS CONTACT

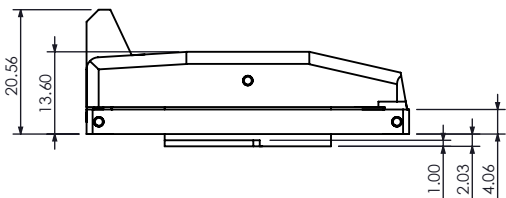
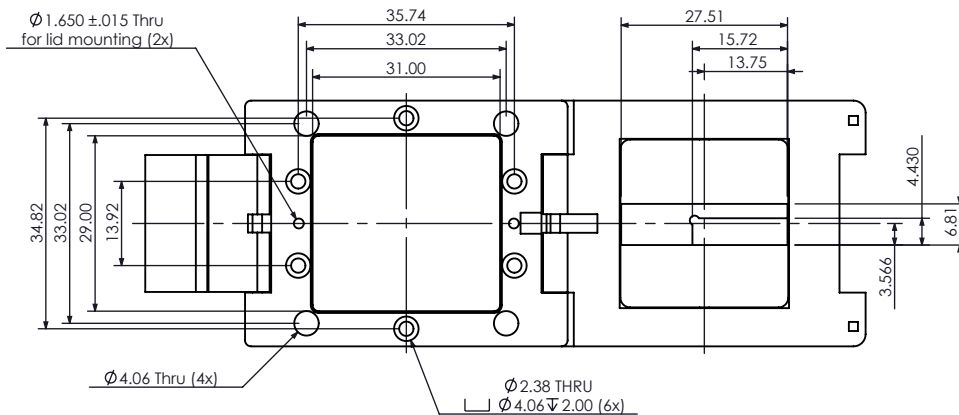
UNLESS OTHERWISE SPECIFIED		DSGN BY	V MOJICA	DATE	07/09/09	 Contech Solutions Incorporated 631 Montague Avenue San Leandro, CA 94577
DIMENSIONS ARE IN MILLIMETERS TOLERANCES: ANGLES ± 1°		DWNN BY	J PORTILLO	DATE	07/09/09	
X .#01 XX .#05 XXX .#025		CHK BY	V MOJICA	DATE	07/09/09	
DIMENSIONAL LIMITS APPLY BEFORE PROCESSES REMOVE ALL BURRS AND SHARP EDGES		APVD BY	--	DATE	--	
MATERIAL		APVD BY	--	DATE	--	Drawing for semi custom socket 30 pins PN# 30SYL2010-RCS-SYND1
Pei/Torlon		FINISH				
SIZE	A	FSCM #	----	DRAWING #	30SYL2010_RCS_SYND1_SKT2	REV A 07/09/09
SCALE	-				SHEET 3 OF 6	



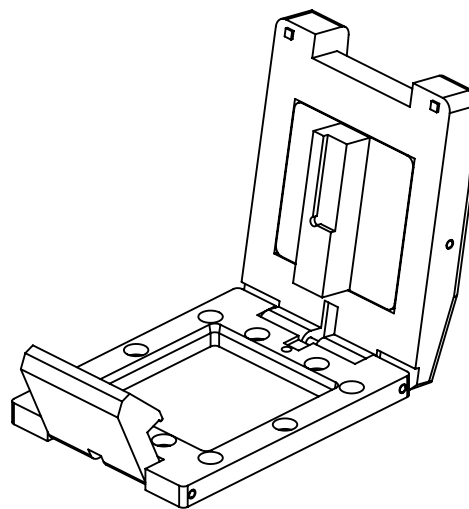
TOP VIEW




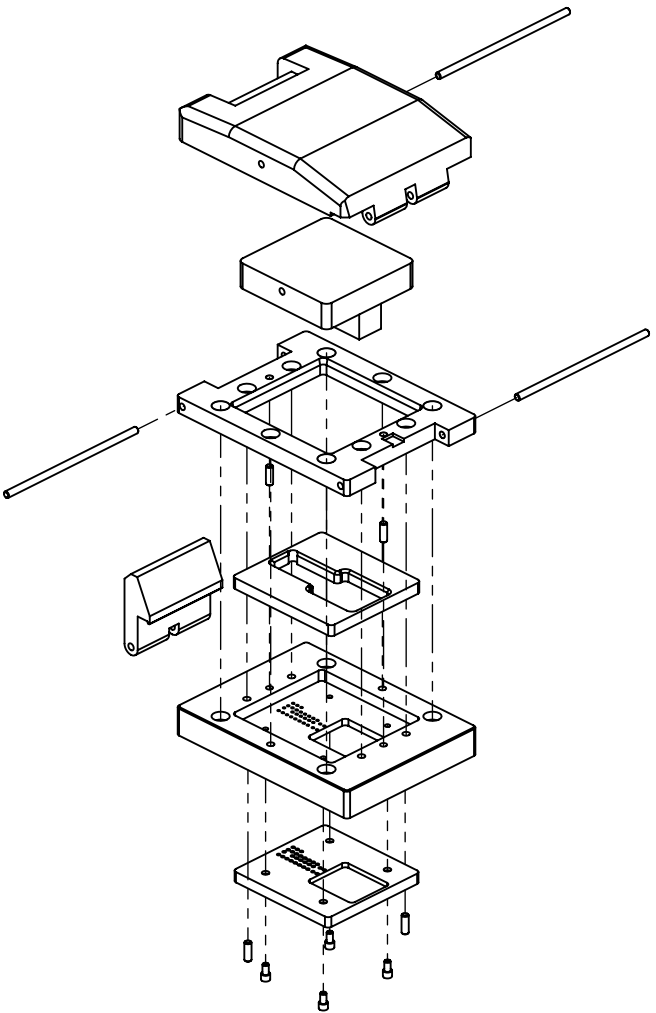
SIDE VIEW



FRONT VIEW



UNLESS OTHERWISE SPECIFIED DIMENSIONS ARE IN MILLIMETERS TOLERANCES: ANGLES ± 1° X .#01 XX .#05 XXX .#025 DIMENSIONAL LIMITS APPLY BEFORE PROCESSES REMOVE ALL BURRS AND SHARP EDGES	DSGN BY V MOJICA DATE 07/09/09	 Contech Solutions Incorporated 631 Montague Avenue San Leandro, CA 94577
	DWNN BY J PORTILLO DATE 07/09/09	
	CHK BY V MOJICA DATE 07/09/09	Lid drawing for semi custom socket 30 pins PN# 30SYL2010-RCS-SYND1
	APVD BY --/-- DATE --/--	
	APVD BY --/-- DATE --/--	
MATERIAL Pei/Torlon	FINISH	SIZE A FSCM # ---- DRAWING # 30SYL2010_RCS_SYND1_LID SCALE -
		REV A 07/09/09 SHEET 4 OF 6



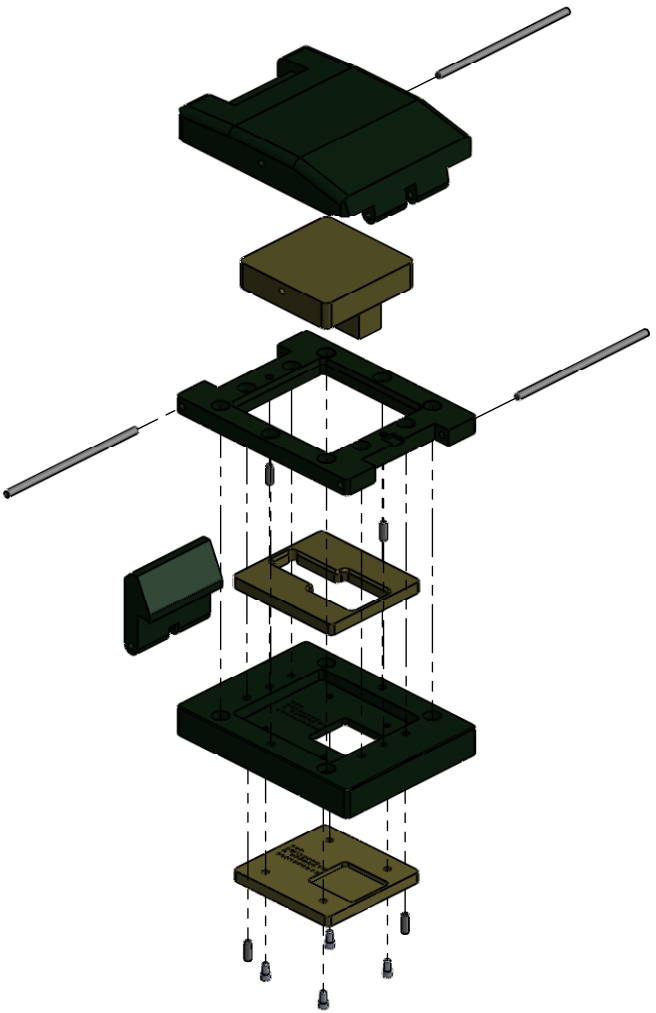
UNLESS OTHERWISE SPECIFIED DIMENSIONS ARE IN MILLIMETERS TOLERANCES: ANGLES ± 1° % .011 .01 .05 .005 .010 DIMENSIONAL LIMITS APPLY BEFORE PROCESSES REMOVE ALL BURRS AND SHARP EDGES MATERIAL FINISH	DSGN BY	V MOJICA	DATE	07/09/09
	DWNN BY	J PORTILLO	DATE	07/09/09
	CHK BY	V MOJICA	DATE	07/09/09
	APVD BY	--/--	DATE	--/--
	APVD BY	--/--	DATE	--/--




Contech Solutions Incorporated
 631 Montague Avenue
 San Leandro, CA 94577

Drawing for semi custom socket 30 pins
 PN# 30SYL2010-RCS-SYND1

SIZE	FSCM #	DRAWING #	REV
A	----	30SYL2010_RCS_SYND1_ISO	A
SCALE	-		SHEET 5 OF 6



UNLESS OTHERWISE SPECIFIED DIMENSIONS ARE IN MILLIMETERS TOLERANCES: ANGLES ± 1° % .01 .01 .05 .05 .025 DIMENSIONAL LIMITS APPLY BEFORE PROCESSES REMOVE ALL BURRS AND SHARP EDGES MATERIAL FINISH	DSGN BY	V MOJICA	DATE	07/09/09	 Contech Solutions Incorporated 631 Montague Avenue San Leandro, CA 94577
	DWNN BY	J PORTILLO	DATE	07/09/09	
	CHK BY	V MOJICA	DATE	07/09/09	
	APVD BY	--/--	DATE	--/--	
	APVD BY	--/--	DATE	--/--	Drawing for semi custom socket 30 pins PN# 30SYL2010-RCS-SYND1
	SIZE	FSCM #	DRAWING #	REV	
	A	----	30SYL2010_RCS_SYND1_ISO2	A	07/09/09
	SCALE	-			SHEET 6 OF 6