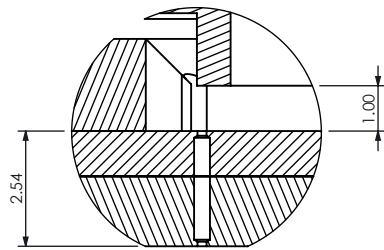
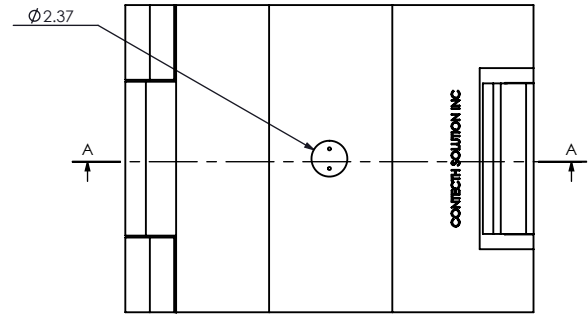
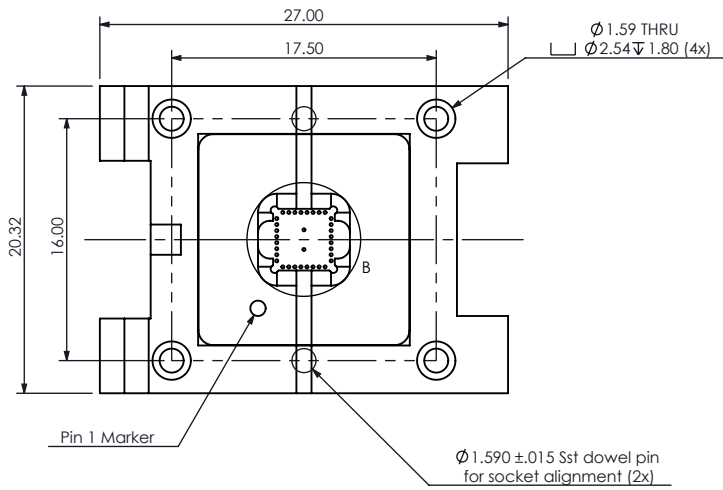


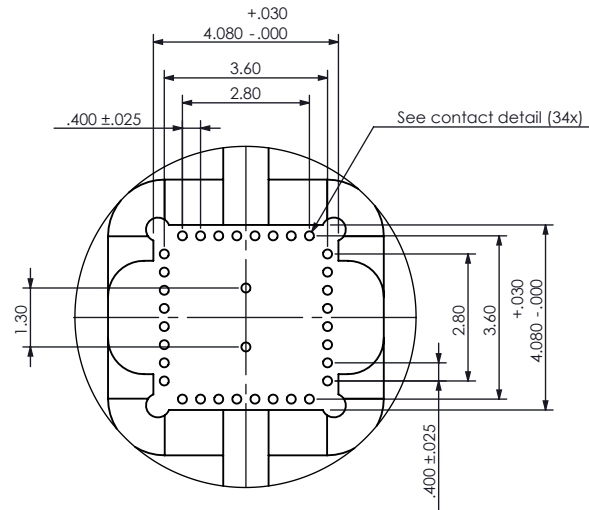
CONFIDENTIAL AND PROPERTY OF CONTECH SOLUTION INC.

UNLESS OTHERWISE SPECIFIED		DSGN BY	V MOJICA	DATE	03/27/09
DIMENSIONS ARE IN MILLIMETERS		DWNN BY	J PORTILLO	DATE	03/27/09
TOLERANCES: ANGLES ± 1°		CHK BY	V MOJICA	DATE	03/27/09
X .X01		APVD BY	--	DATE	--
XX .X05		APVD BY	--	DATE	--
XXX .X05		FINISH			
DIMENSIONAL LIMITS APPLY BEFORE PROCESSES					
REMOVE ALL BURRS AND SHARP EDGES					
MATERIAL					

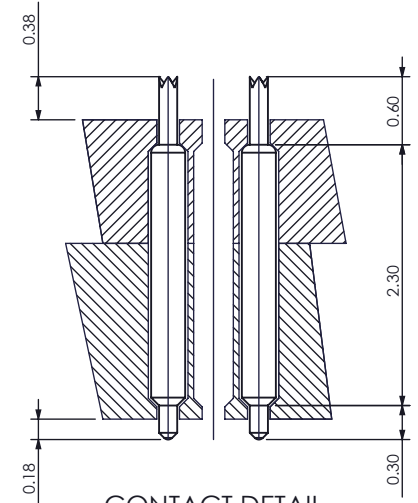
	Contech Solutions Incorporated 631 Montague Avenue San Leandro, CA 94577	
	Footprint drawing for semi custom socket 0.4mm pitch PN# CSQFN32-0.4-KG1030-T11	
SIZE A	FSCM # ----	DRAWING # CSQFN32_0.4_T11_FTP
SCALE -		REV A 03/30/09
		SHEET 1 OF 2



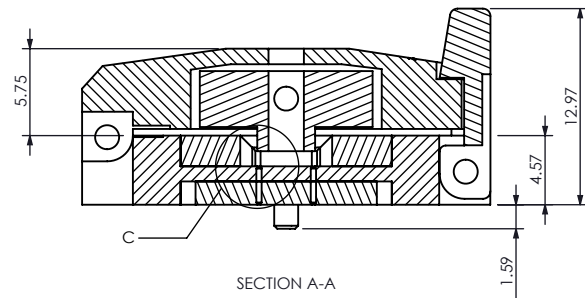
DETAIL C



DETAIL B



CONTACT DETAIL



SECTION A-A

UNLESS OTHERWISE SPECIFIED		DSGN BY	V MOJICA	DATE	03/27/09
DIMENSIONS ARE IN MILLIMETERS		DWNN BY	J PORTILLO	DATE	03/27/09
TOLERANCES: ANGLES ± 1°		CHK BY	V MOJICA	DATE	03/27/09
X .013		APVD BY	--	DATE	--
XX .005		APVD BY	--	DATE	--
XXX .0025		DIMENSIONAL LIMITS APPLY BEFORE PROCESSES			
REMOVE ALL BURRS AND SHARP EDGES		MATERIAL			
Torlon/Pei		FINISH			



Contech Solutions Incorporated
631 Montague Avenue
San Leandro, CA 94577

Drawing for semi custom socket 0.4mm pitch
PN# CSQFN32-0.4-KG1030-T11

SIZE	FSCM #	DRAWING #	REV
A	----	CSQFN32_0.4_T11_SKT	A
SCALE	-		03/30/09