

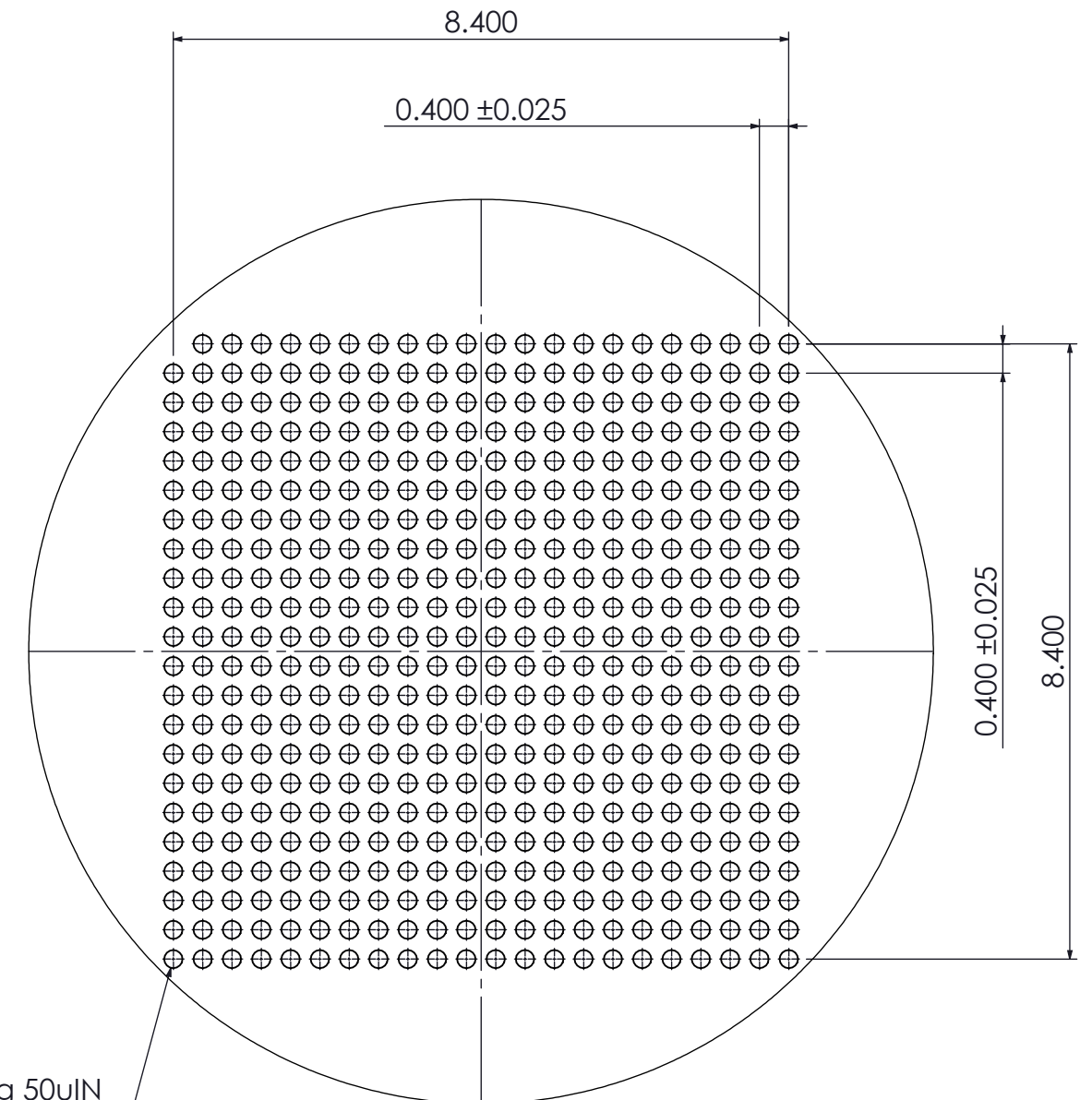
+0.025
 ϕ 1.600 -0.000 non plated thru
 Drill & ream
 for contactor alignment (5x)

TOP VIEW

ϕ 3.18 Thru
 for contactor mounting (4x)


NO COMPONENTS OR SOLDER MASK
 IN THIS AREA

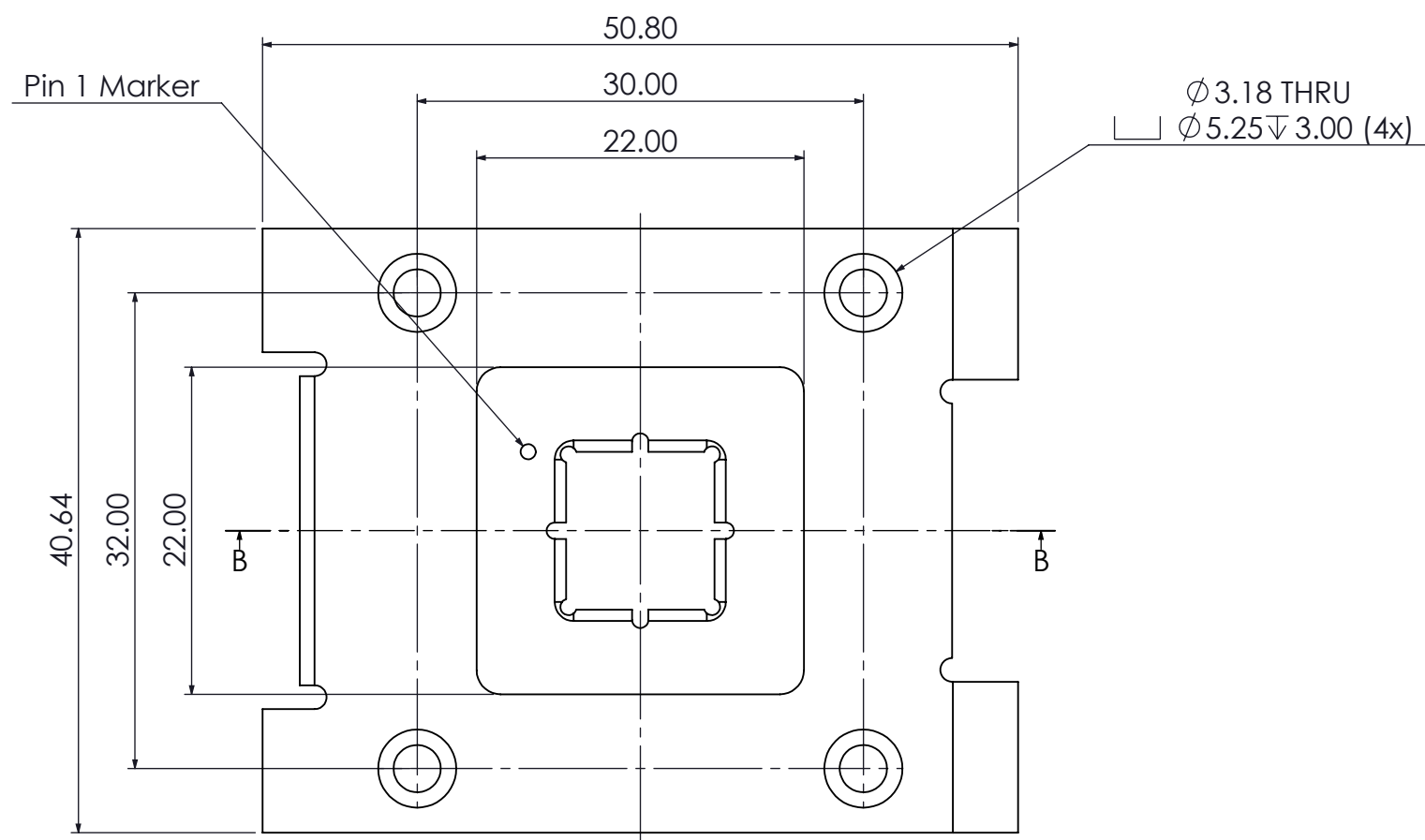
COMPONENTS ARE
 2.00mm MAX. HEIGHT (4x)



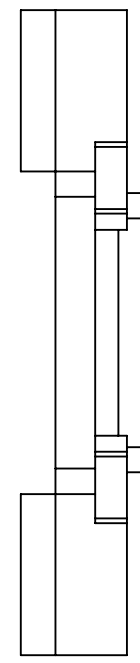
DETAIL A

ϕ 0.25 Pad plating 50uIN
 Au / 150uIN Ni (483x)

UNLESS OTHERWISE SPECIFIED:		NAME	DATE	 Contech Solutions Incorporated 631 Montague Avenue San Leandro, CA 94577	
DIMENSIONS ARE IN MILLIMETERS		DRAWN	J PORTILLO		03/28/11
TOLERANCES:		CHECKED	V.MOJICA		03/28/11
X	±0.1	ENG APPR.			
XX	±0.05	MFG APPR.			
XXX	±0.025	Q.A.			
ANGLES ± 1°		COMMENTS:			
• DIMENSIONAL LIMITS APPLY BEFORE PROCESSES					
• REMOVE ALL BURRS AND SHARP EDGES					
MATERIAL					
FINISH					
DO NOT SCALE DRAWING					
TITLE:				Footprint drawing for custom socket 0.40 mm pitch PN# CSBGA484-0.4-CS400-CHST1	
SIZE	DWG. NO.	REV			
C	CSBGA484_0.4_CS400_CHST1	A2			
SCALE		SHEET 1 OF 7			

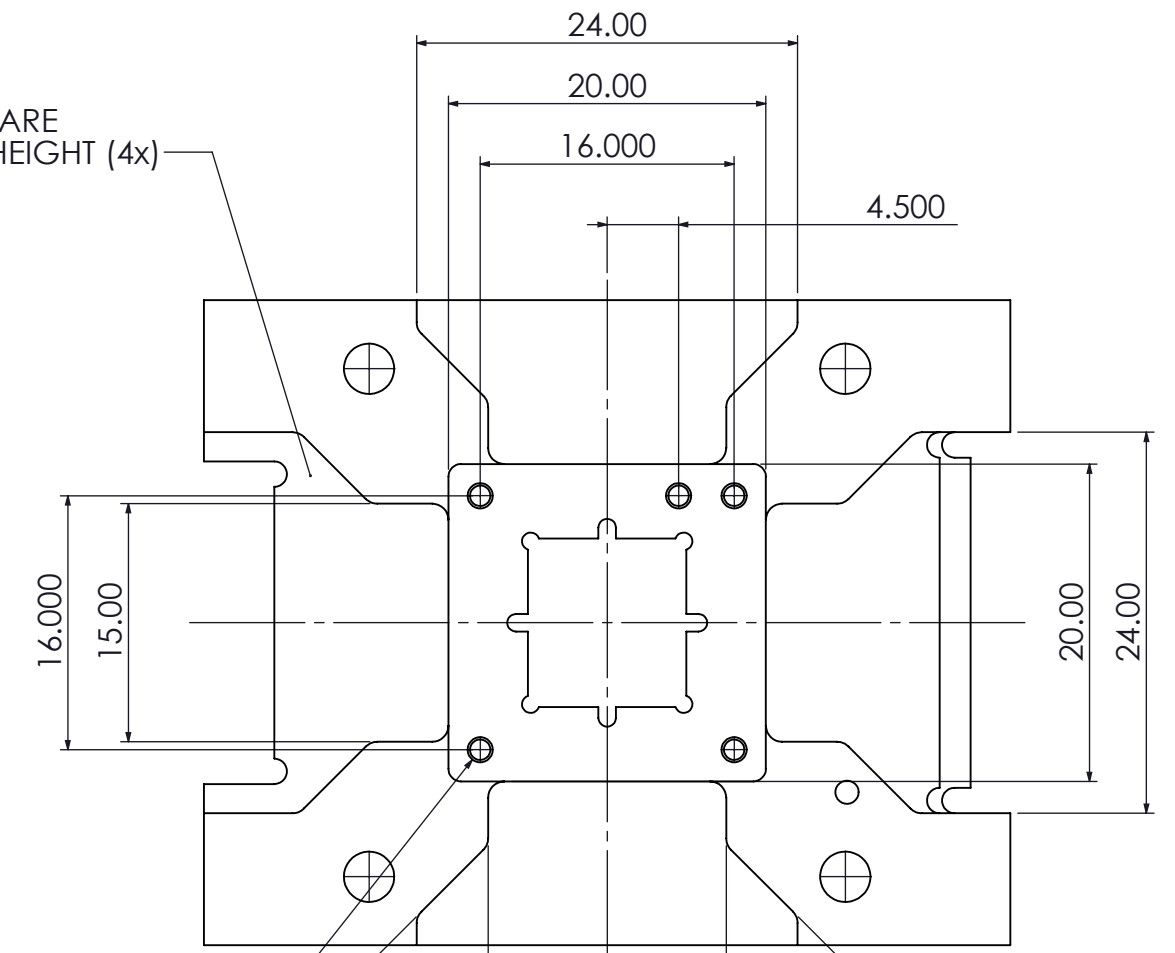


TOP VIEW

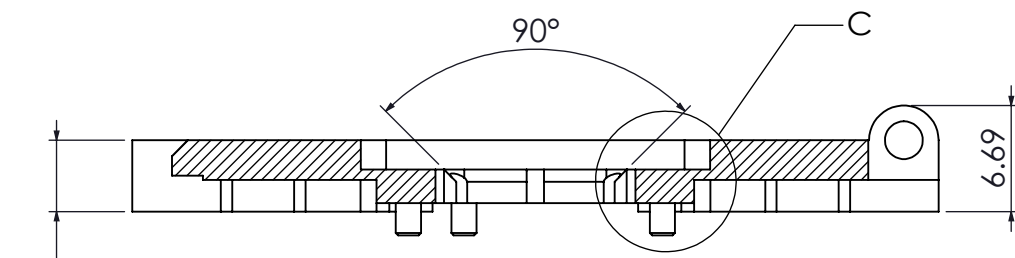


SIDE VIEW

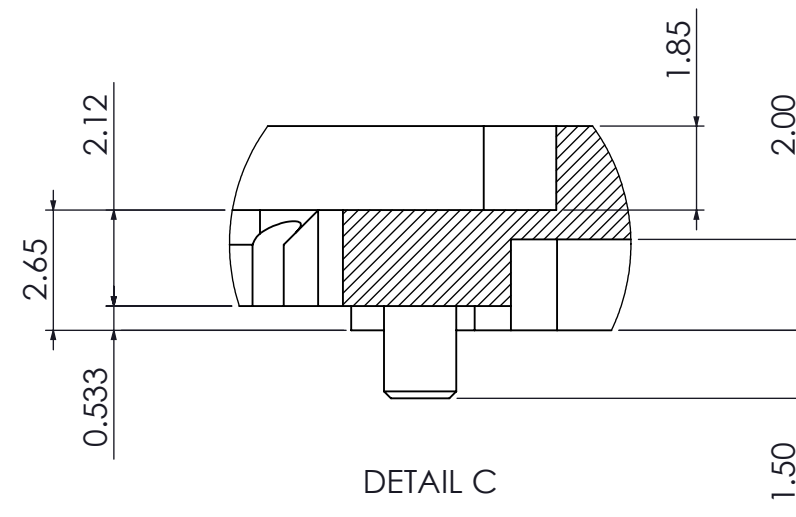
COMPONENTS ARE
2.00mm MAX. HEIGHT (4x)



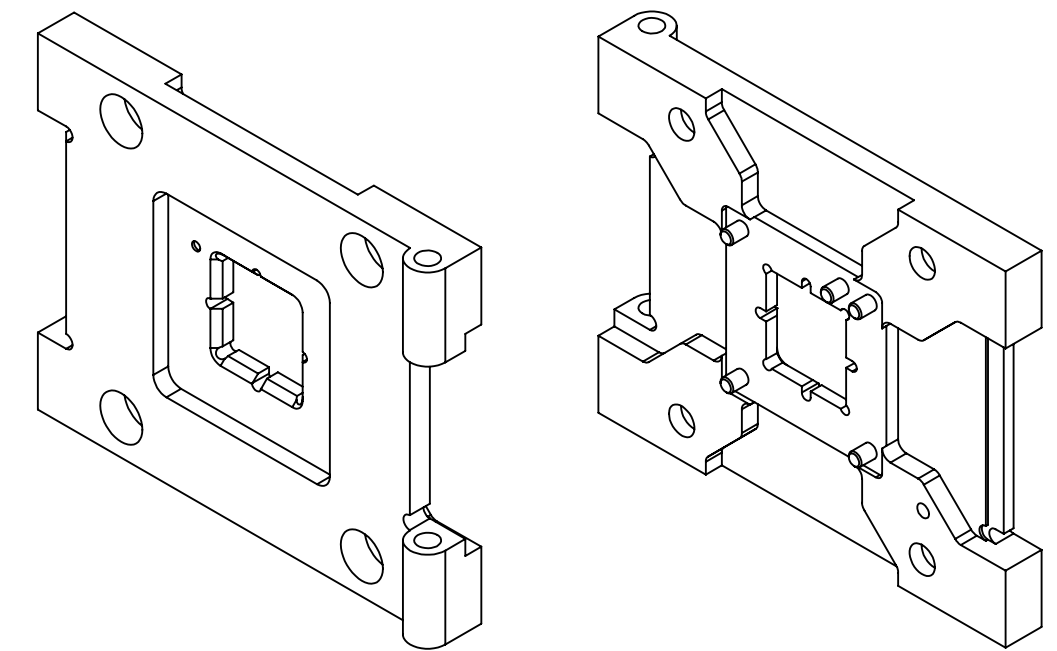
BOTTOM VIEW




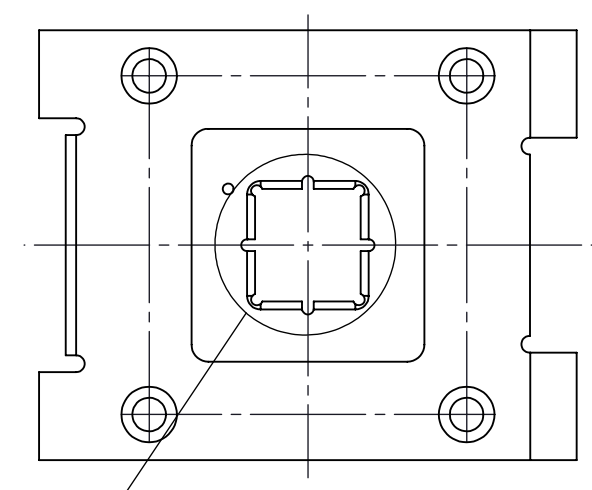
SECTION B-B



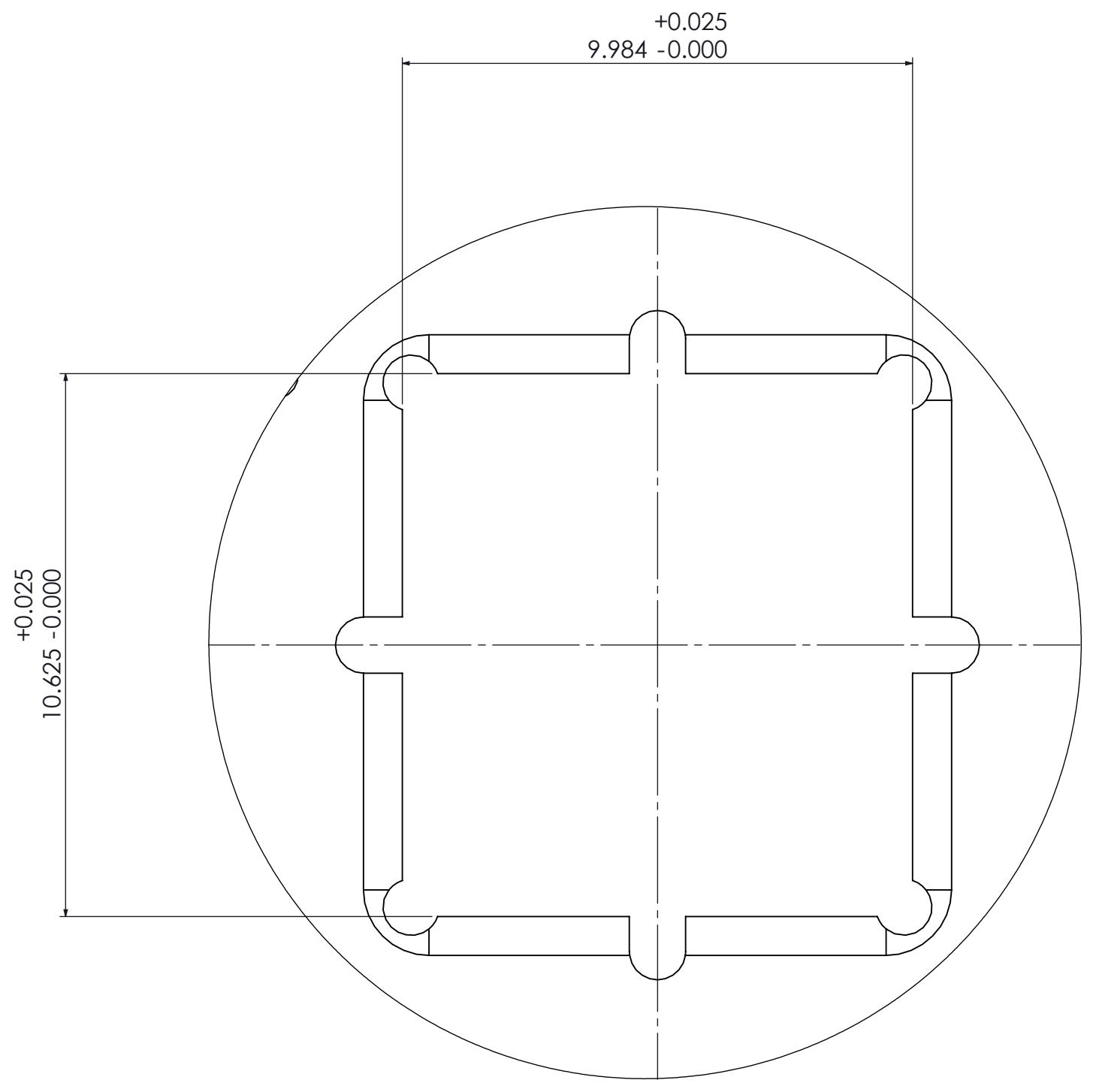
DETAIL C




UNLESS OTHERWISE SPECIFIED:		NAME	DATE	 Contech Solutions Incorporated 631 Montague Avenue San Leandro, CA 94577
DIMENSIONS ARE IN MILLIMETERS TOLERANCES: X ±0.1 XX ±0.05 XXX ±0.025 ANGLES ± 1° • DIMENSIONAL LIMITS APPLY BEFORE PROCESSES • REMOVE ALL BURRS AND SHARP EDGES		DRAWN	J.PORTILLO	
		CHECKED	V.MOJICA	03/28/11
		ENG APPR.		
		MFG APPR.		
		Q.A.		
		COMMENTS:		TITLE:
				Drawing for custom socket 0.40 mm pitch PN# CSBGA484-0.4-CS400-CHST1
MATERIAL	Aluminum	SIZE	DWG. NO.	REV
FINISH	Red Anodized	C	CSBGA484_0.4_CS400_CHST1	A2 04/12/11
DO NOT SCALE DRAWING		SCALE		SHEET 2 OF 7

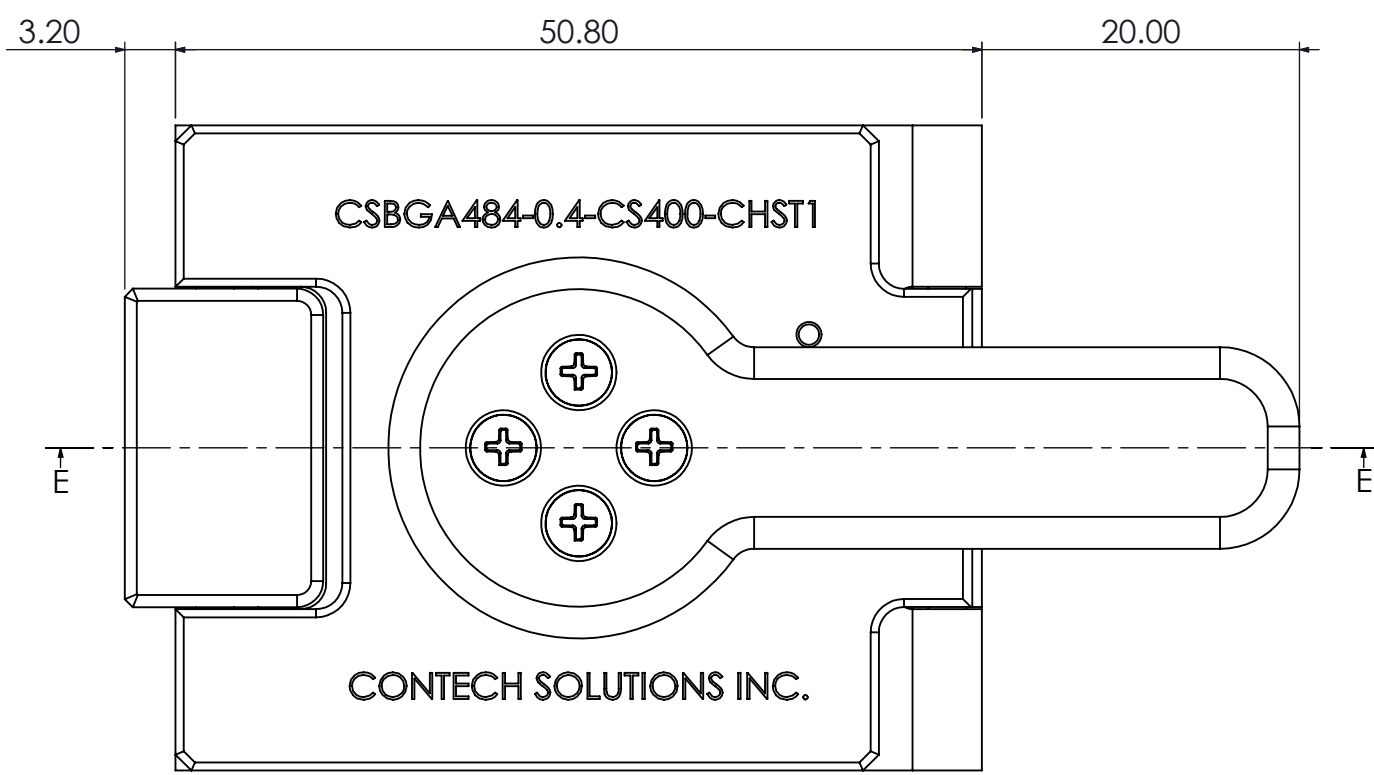


TOP VIEW

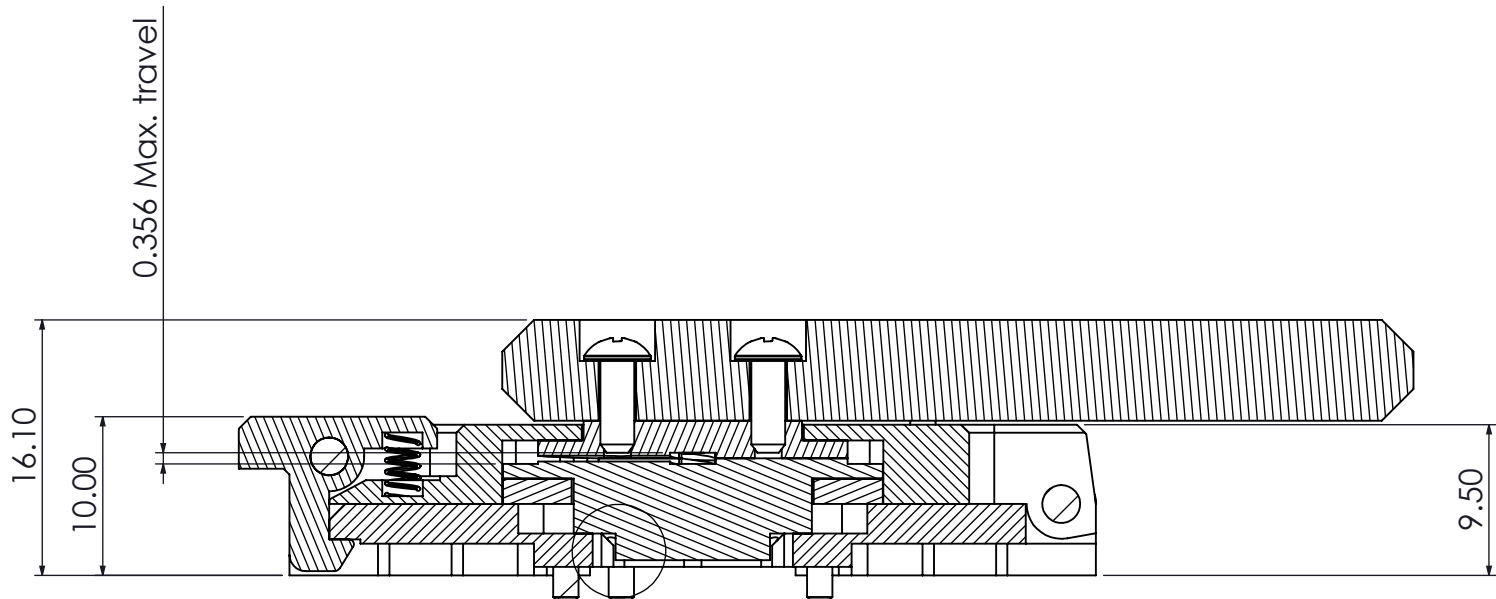


DETAIL D

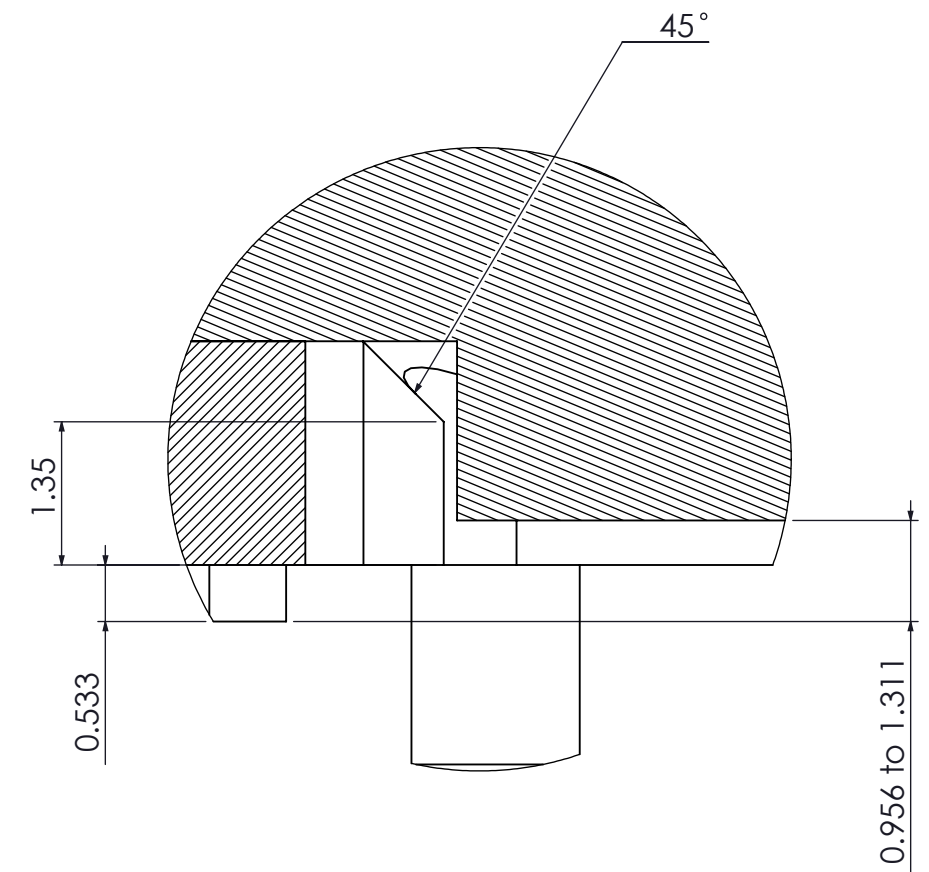
UNLESS OTHERWISE SPECIFIED:		NAME	DATE	 Contech Solutions Incorporated 631 Montague Avenue San Leandro, CA 94577
DIMENSIONS ARE IN MILLIMETERS TOLERANCES: X ±0.1 XX ±0.05 XXX ±0.025 ANGLES ± 1° • DIMENSIONAL LIMITS APPLY BEFORE PROCESSES • REMOVE ALL BURRS AND SHARP EDGES		DRAWN	J.PORTILLO	
		CHECKED	V.MOJICA	03/28/11
		ENG APPR.		
		MFG APPR.		
		Q.A.		
		COMMENTS:		
MATERIAL	Aluminum	TITLE: Drawing for custom socket 0.40 mm pitch PN# CSBGA484-0.4-CS400-CHST1		
FINISH	Red Anodized			
DO NOT SCALE DRAWING				
SIZE	DWG. NO.	REV		
C	CSBGA484_0.4_CS400_CHST1	A2	04/12/11	
SCALE			SHEET 3 OF 7	



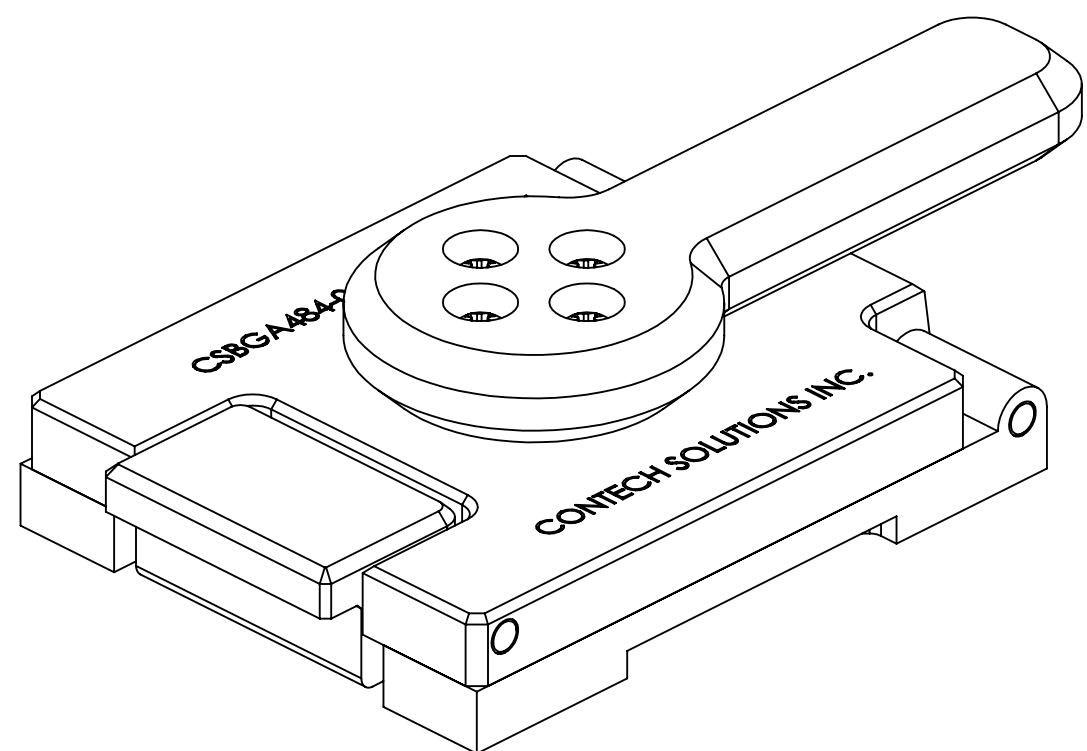
TOP VIEW




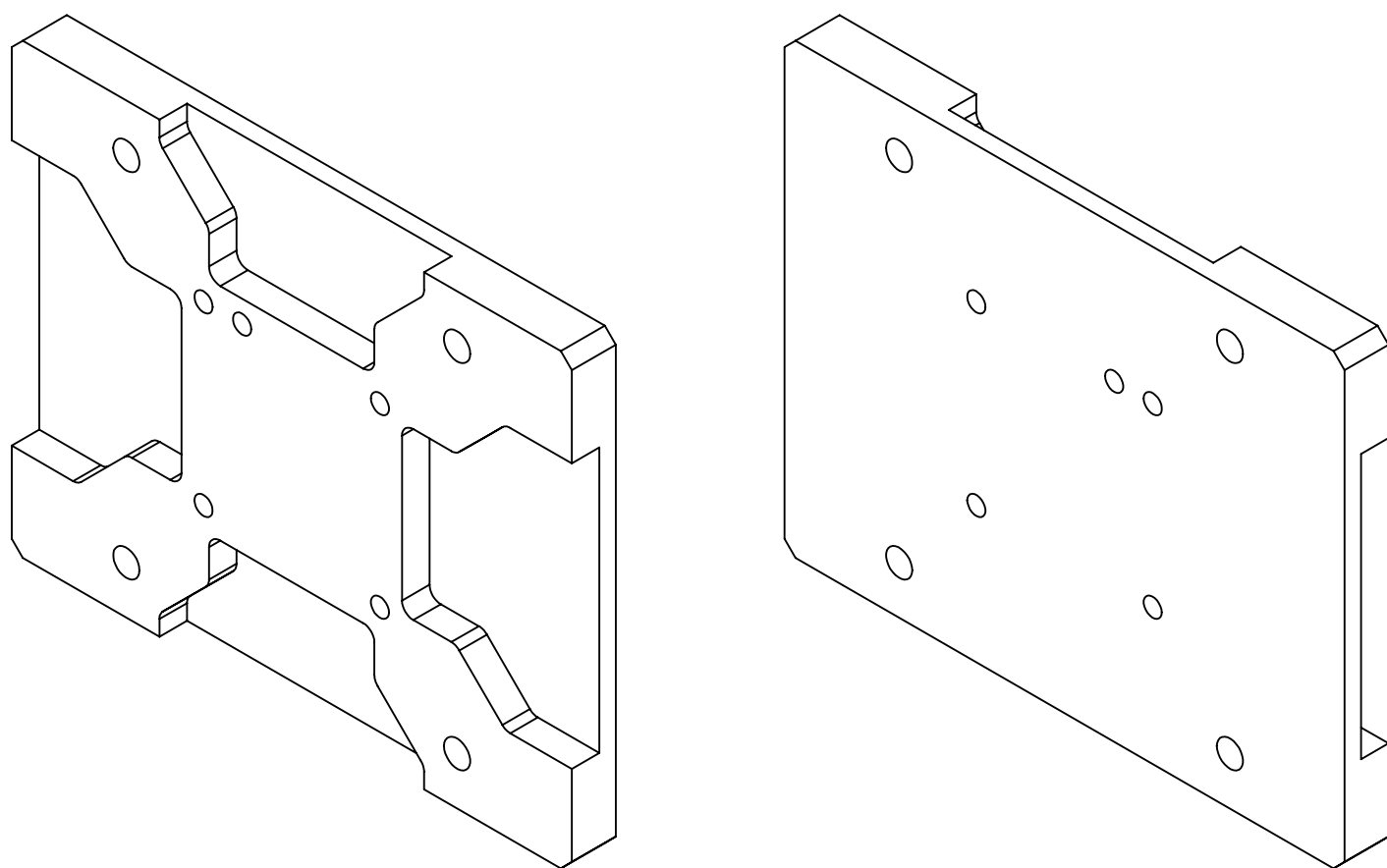
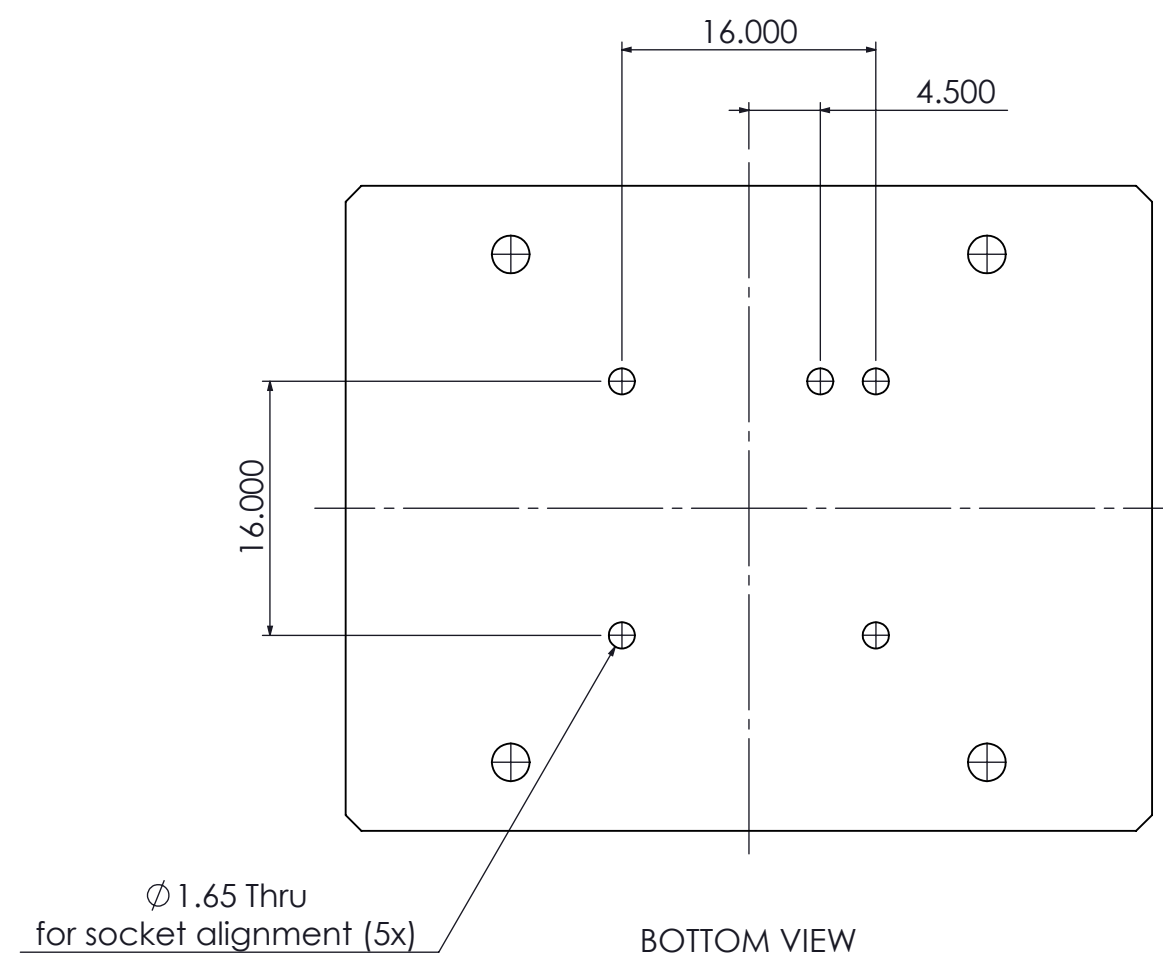
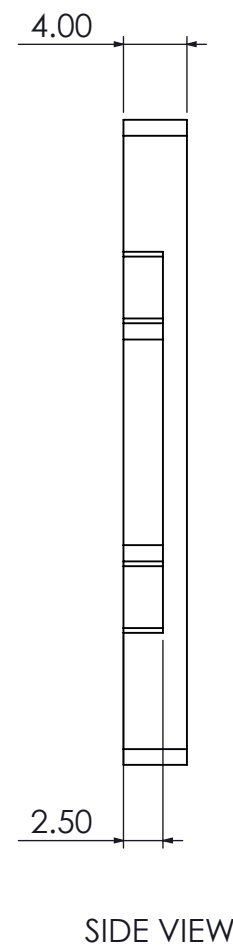
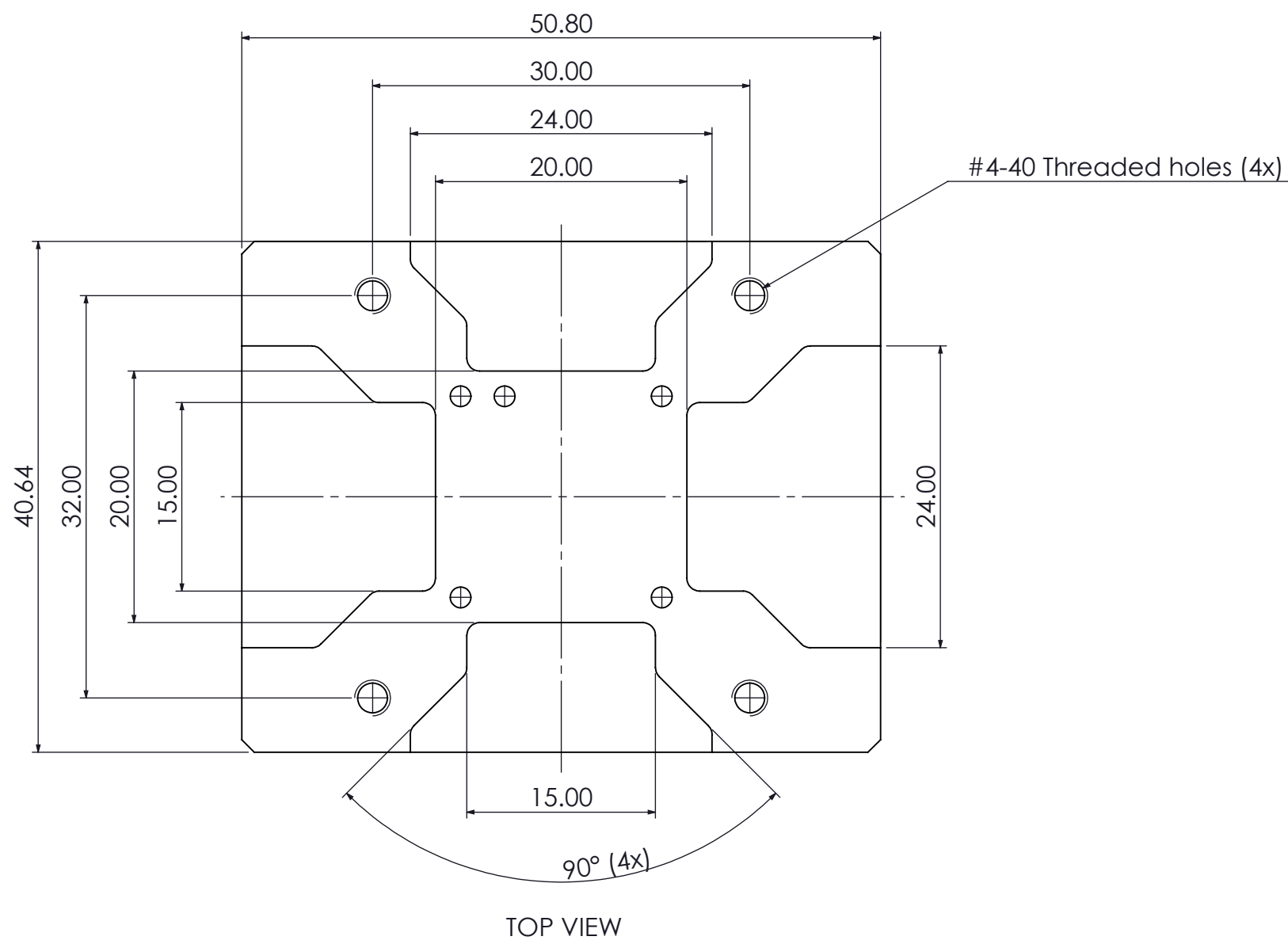
SECTION E-E




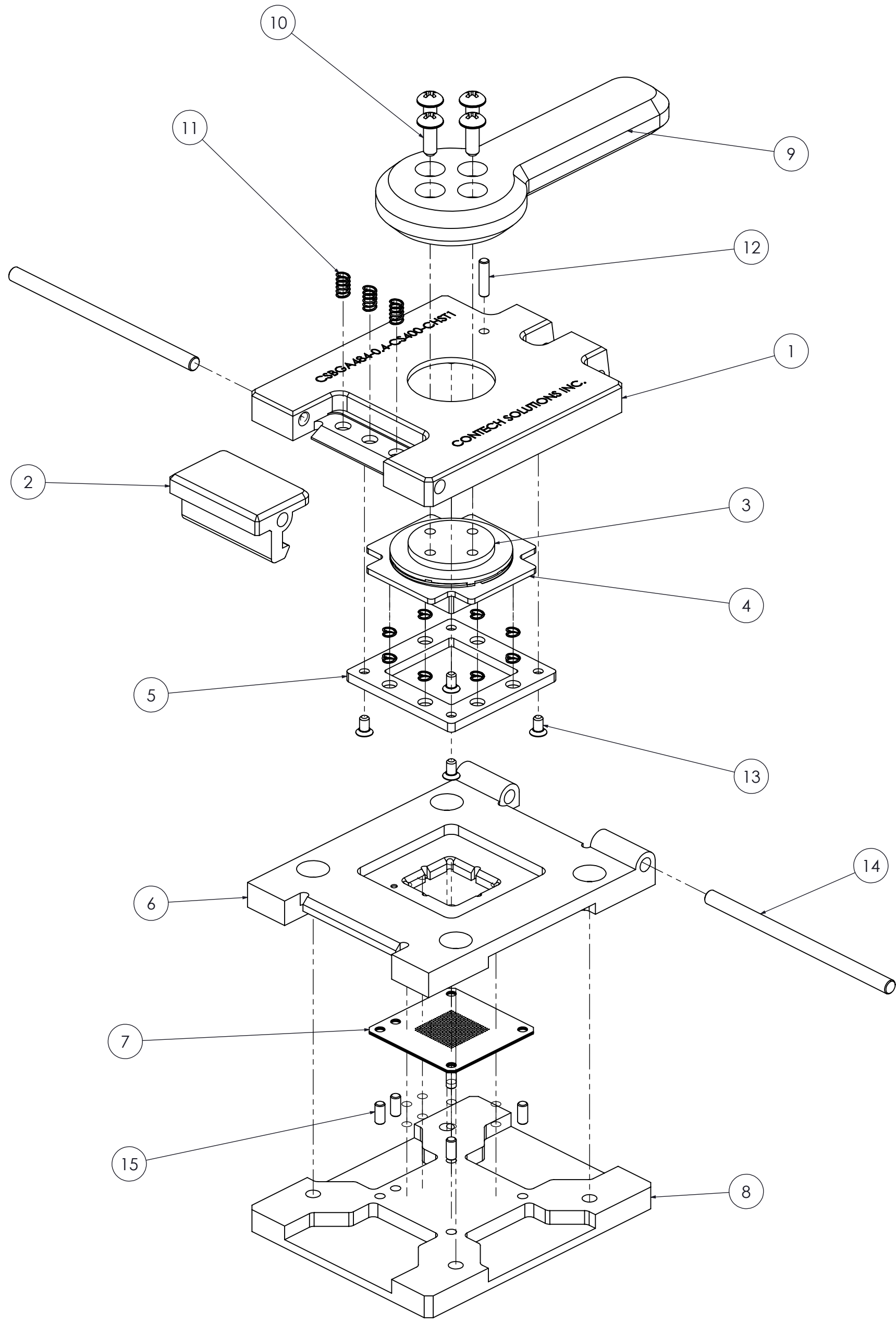
DETAIL F



UNLESS OTHERWISE SPECIFIED:		NAME	DATE	 <small>Contech Solutions Incorporated 631 Montague Avenue San Leandro, CA 94577</small>
<small>DIMENSIONS ARE IN MILLIMETERS TOLERANCES: X ±0.1 XX ±0.05 XXX ±0.025 ANGLES ± 1° • DIMENSIONAL LIMITS APPLY BEFORE PROCESSES • REMOVE ALL BURRS AND SHARP EDGES</small>		DRAWN	J.PORTILLO	
		CHECKED	V.MOJICA	03/28/11
		ENG APPR.		
		MFG APPR.		
		Q.A.		
		COMMENTS:		
MATERIAL				
FINISH				
DO NOT SCALE DRAWING				
TITLE: Drawing for custom socket 0.40 mm pitch PN# CSBGA484-0.4-CS400-CHST1				
SIZE	DWG. NO.	REV		
C	CSBGA484_0.4_CS400_CHST1	A2		04/12/11
SCALE		SHEET 4 OF 7		



UNLESS OTHERWISE SPECIFIED:		NAME	DATE	 Contech Solutions Incorporated 631 Montague Avenue San Leandro, CA 94577	
DIMENSIONS ARE IN MILLIMETERS		DRAWN	J.PORTILLO		03/28/11
TOLERANCES:		CHECKED	V.MOJICA		03/28/11
X	±0.1	ENG APPR.			
XX	±0.05	MFG APPR.			
XXX	±0.025	Q.A.			
ANGLES ± 1°		COMMENTS:			
• DIMENSIONAL LIMITS APPLY BEFORE PROCESSES					
• REMOVE ALL BURRS AND SHARP EDGES					
MATERIAL	Aluminum			TITLE:	
FINISH				Drawing for custom socket 0.40 mm pitch	
DO NOT SCALE DRAWING				PN# CSBGA484-0.4-CS400-CHST1	
SIZE	DWG. NO.	REV			
C	CSBGA484_0.4_CS400_CHST1	A2			
SCALE		SHEET 5 OF 7			

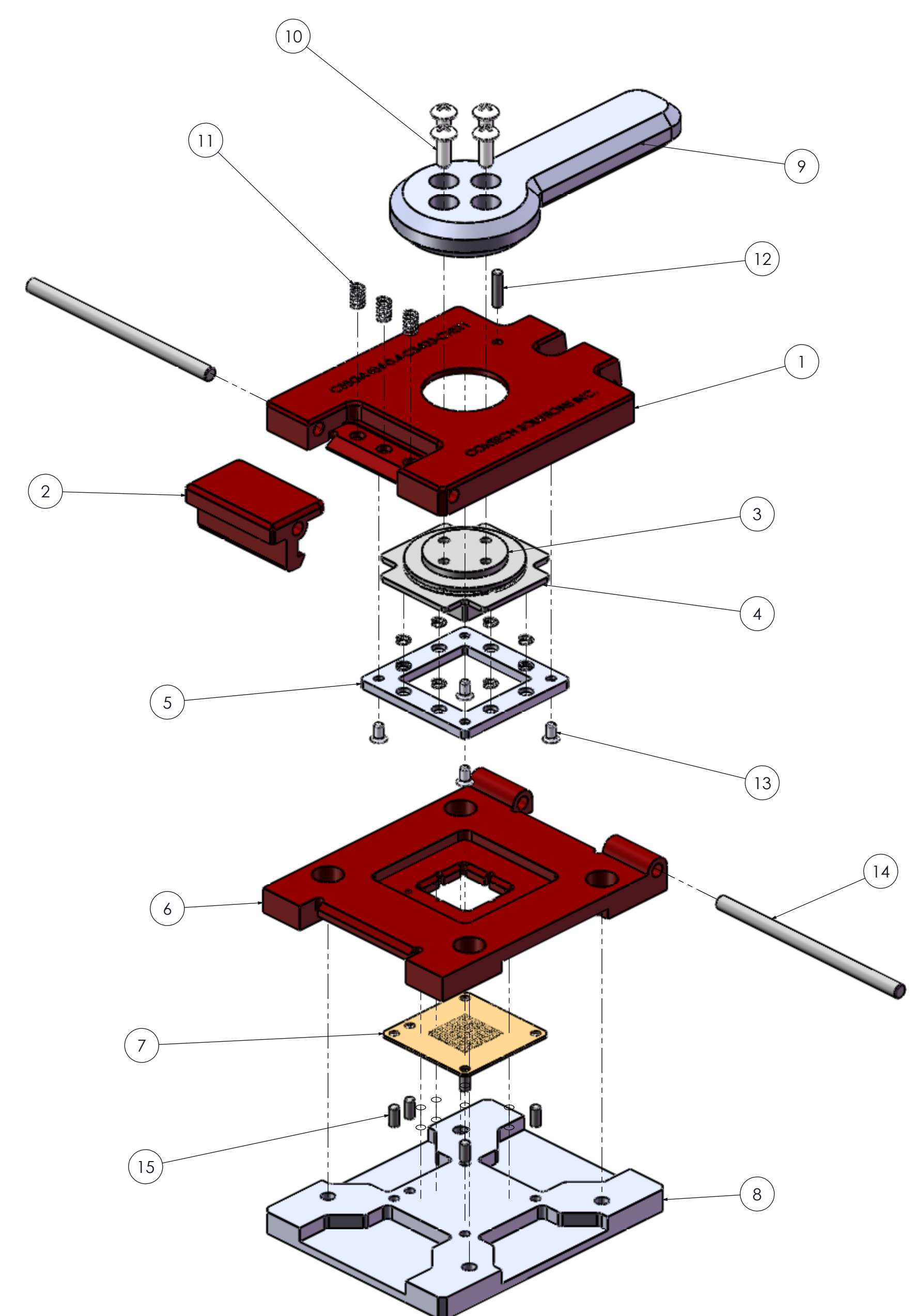


PART LIST			
ITEM NO.	QTY.	PART NUMBER	DESCRIPTION
1	1	CSBGA484-0.4-CS400-CHST1-LID	ALUMINUM, LID
2	1	CSBGA484-0.4-CS400-CHST1-LT	ALUMINUM, LATCH
3	1	CSBGA484-0.4-CS400-CHST1-RTO	PEEK, ROTATOR
4	1	CSBGA484-0.4-CS400-CHST1-PLG	PEEK, PLUNGER
5	1	CSBGA484-0.4-CS400-CHST1-RTN	ALUMINUM, RETAINER
6	1	CSBGA484-0.4-CS400-CHST1-SKT	ALUMINUM, CONTACTOR BASE
7	1	CS400	INTERPOSER
8	1	CSBGA484-0.4-CS400-CHST1-STF	ALUMINUM, STIFFENER
9	1	CSBGA484-0.4-CS400-CHST1-HDR	ALUMINUM, HANDLER
10	4	2C18PNHD	#2-56 X 3/16" UNC PHIL PAD HEAD SCREW
11	11	N-2	COMPRESSION SPRING
12	1	6R25DOWS	Ø 1/16" X 1/4" SST DOWEL PIN
13	4	0F125PFVS	#0-80 X 1/8" UNC PHIL FLAT HD
14	2	9R160DOWS	Ø 3/32" X 1.60" SST DOWEL PIN
15	5	6R4DOWS	Ø 1.59mm X 4.00mm SST DOWEL PIN

UNLESS OTHERWISE SPECIFIED: DIMENSIONS ARE IN MILLIMETERS TOLERANCES: X ±0.1 XX ±0.05 XXX ±0.025 ANGLES ±1° • DIMENSIONAL LIMITS APPLY BEFORE PROCESSES • REMOVE ALL BURRS AND SHARP EDGES		DRAWN J.PORTILLO 03/28/11	NAME V.MOJICA 03/28/11	DATE 03/28/11	 Contech Solutions Incorporated 631 Montague Avenue San Leandro, CA 94577 TITLE: Drawing for custom socket 0.40 mm pitch PN# CSBGA484-0.4-CS400-CHST1
MATERIAL	ENG APPR.	MFG APPR.	Q.A.	SIZE DWG. NO. C CSBGA484_0.4_CS400_CHST1 REV A2 04/12/11	
FINISH	COMMENTS:				
DO NOT SCALE DRAWING				SCALE	

8 7 6 5 4 3 2 1

F
E
D
C
B
A



PART LIST			
ITEM NO.	QTY.	PART NUMBER	DESCRIPTION
1	1	CSBGA484-0.4-CS400-CHST1-LID	ALUMINUM, LID
2	1	CSBGA484-0.4-CS400-CHST1-LT	ALUMINUM, LATCH
3	1	CSBGA484-0.4-CS400-CHST1-RTO	PEEK, ROTATOR
4	1	CSBGA484-0.4-CS400-CHST1-PLG	PEEK, PLUNGER
5	1	CSBGA484-0.4-CS400-CHST1-RTN	ALUMINUM, RETAINER
6	1	CSBGA484-0.4-CS400-CHST1-SKT	ALUMINUM, CONTACTOR BASE
7	1	CS400	INTERPOSER
8	1	CSBGA484-0.4-CS400-CHST1-STF	ALUMINUM, STIFFENER
9	1	CSBGA484-0.4-CS400-CHST1-HDR	ALUMINUM, HANDLER
10	4	2C18PNHD	#2-56 X 3/16" UNC PHIL PAD HEAD SCREW
11	11	N-2	COMPRESSION SPRING
12	1	6R25DOWS	Ø 1/16" X 1/4" SST DOWEL PIN
13	4	0F125PFVS	#0-80 X 1/8" UNC PHIL FLAT HD
14	2	9R160DOWS	Ø 3/32" X 1.60" SST DOWEL PIN
15	5	6R4DOWS	Ø 1.59mm X 4.00mm SST DOWEL PIN

UNLESS OTHERWISE SPECIFIED: DIMENSIONS ARE IN MILLIMETERS TOLERANCES: X ±0.1 XX ±0.05 XXX ±0.025 ANGLES ±1° • DIMENSIONAL LIMITS APPLY BEFORE PROCESSES • REMOVE ALL BURRS AND SHARP EDGES		DRAWN J.PORTILLO 03/28/11	NAME V.MOJICA 03/28/11	DATE 03/28/11	 Contech Solutions Incorporated 631 Montague Avenue San Leandro, CA 94577 TITLE: Drawing for custom socket 0.40 mm pitch PN# CSBGA484-0.4-CS400-CHST1
MATERIAL	ENG APPR.	MFG APPR.	Q.A.	COMMENTS:	
FINISH					
DO NOT SCALE DRAWING					
SIZE C	DWG. NO. CSBGA484_0.4_CS400_CHST1	REV A2 04/12/11	SCALE		SHEET 7 OF 7

8 7 6 5 4 3 2 1