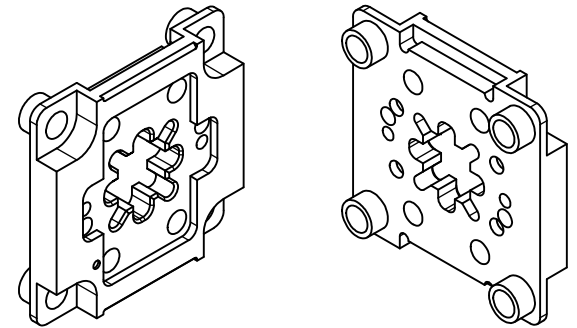
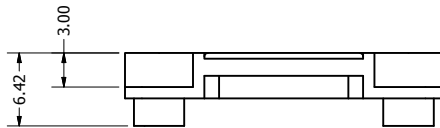
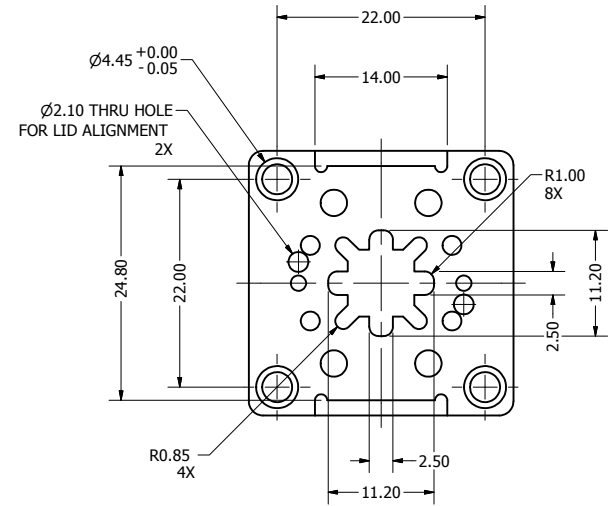
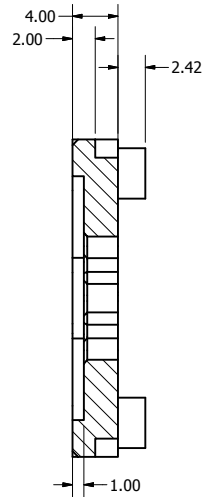
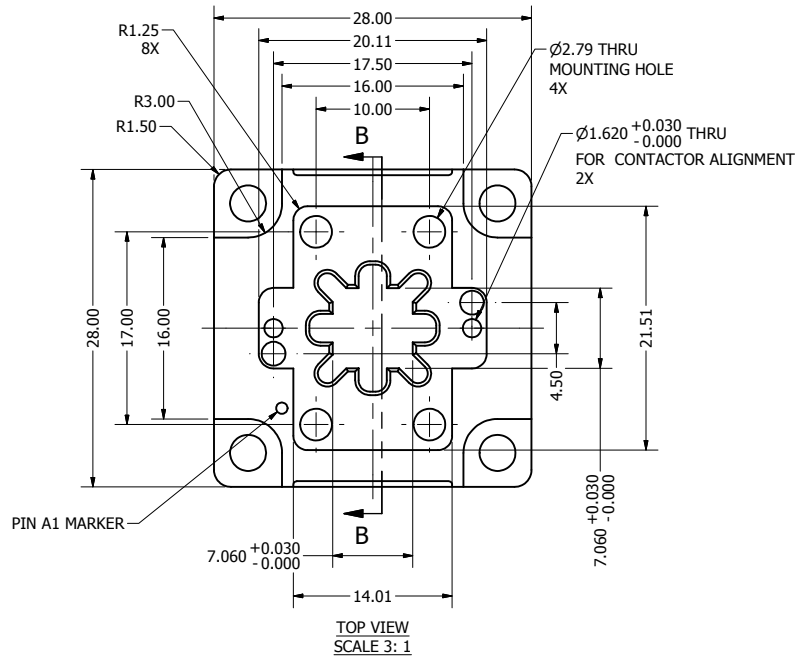



TOP VIEW
SCALE 6: 1

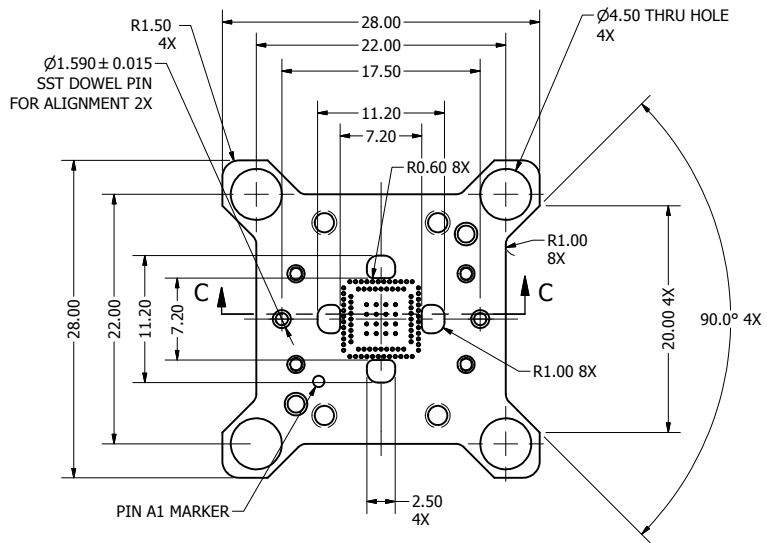
UNLESS OTHERWISE SPECIFIED DIMENSIONS ARE IN MILLIMETERS TOLERANCES DECIMALS .X ± .1 .XX ± .05 .XXX ± .030 ANGLES ±1°	DRAWN V Mojica	11/5/2010		Contech Solutions Incorporated 631 Montague avenue San Leandro, Ca 94577		
	CHECKED V Mojica	11/10/2010		TITLE CUSTOM FOOTPRINT DRAWING PN# CSDRQFN84-0.5-KG1050-INT1		
	QA		SIZE C	DWG NO CSDRQFN84_KG1050_INT1	REV A1	
	MFG		SCALE SHEET 1 OF 9			
	APPROVED					
MATERIAL						



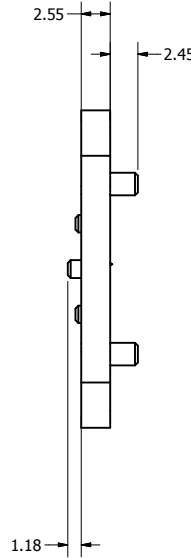
NOTES:
1- FINISH: BLACK ANODIZE

CONFIDENTIAL & PROPERTY OF CONTECH SOLUTIONS INC.

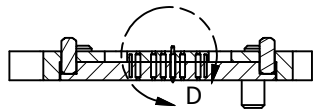
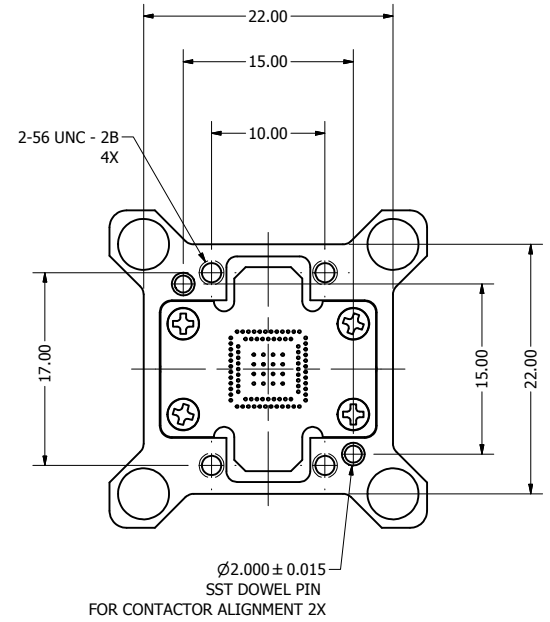
UNLESS OTHERWISE SPECIFIED DIMENSIONS ARE IN MILLIMETERS TOLERANCES DECIMALS .X ± .1 .XX ± .05 .XXX ± .030 ANGLES ±1'	DRAWN V Mojica	11/5/2010	 Contech Solutions Incorporated 631 Montague avenue San Leandro, Ca 94577	
	CHECKED V Mojica	11/10/2010		
	QA		TITLE CUSTOM ALUMINUM GUIDE PLATE PN# CSDRQFN84-0.5-KG1050-INT1	
	MFG		SIZE C	DWG NO CSDRQFN84_KG1050_INT1
APPROVED		SCALE	SHEET 2 OF 9	
MATERIAL ALUMINUM-6061				



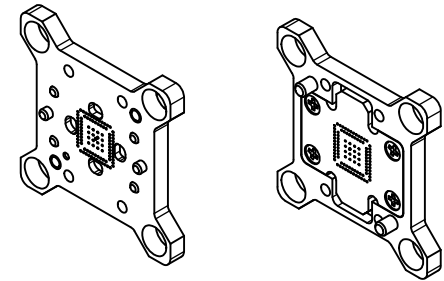
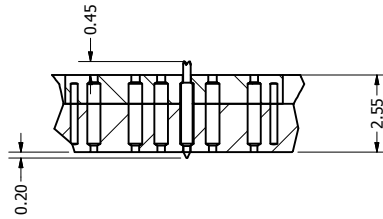
TOP VIEW
SCALE 3: 1




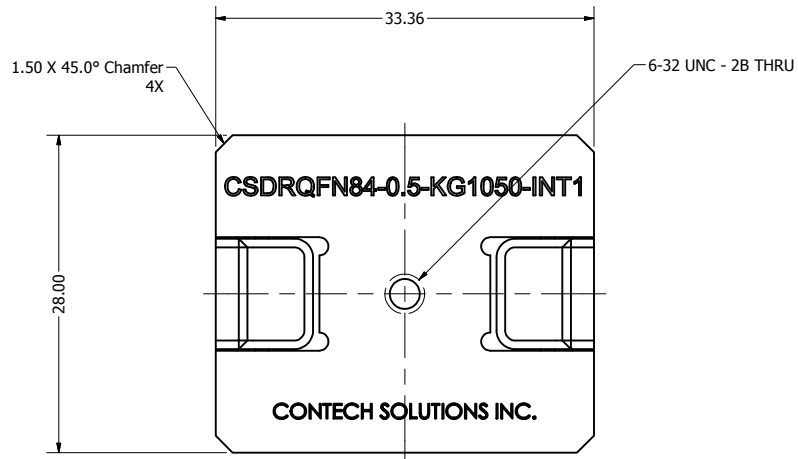
DETAIL D
SCALE 8: 1



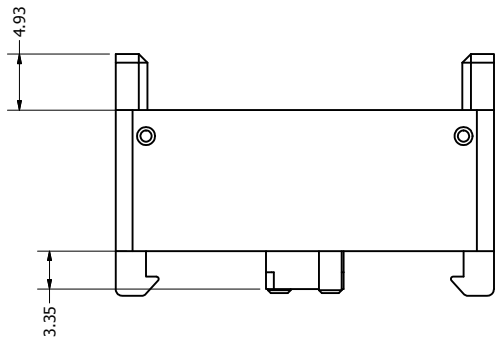
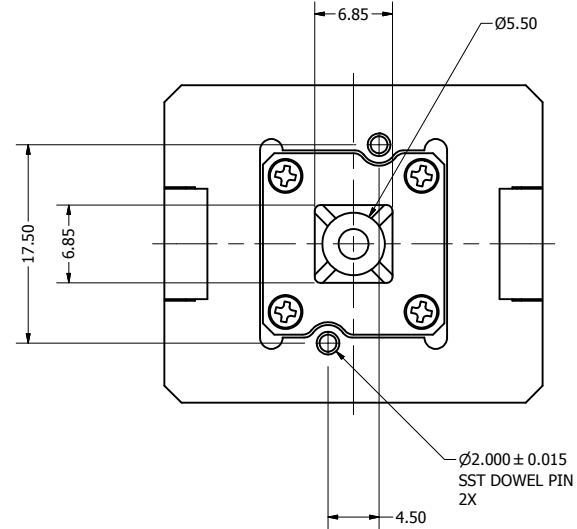
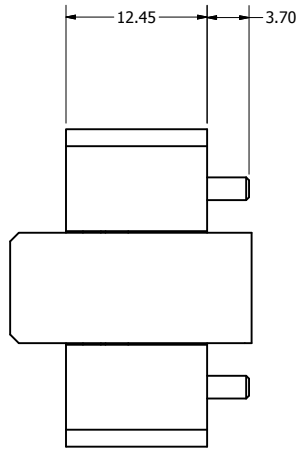
SECTION C-C
SCALE 3: 1




UNLESS OTHERWISE SPECIFIED DIMENSIONS ARE IN MILLIMETERS TOLERANCES DECIMALS .X ± .1 .XX ± .05 .XXX ± .030 ANGLES ±1'	DRAWN V Mojica	11/5/2010	 Contech Solutions Incorporated 631 Montague avenue San Leandro, Ca 94577	
	CHECKED V Mojica	11/10/2010		
	QA		TITLE 169-BGA CONTACTOR PN# CSDRQFN84-0.5-KG1050-INT1	
	MFG		SIZE C	DWG NO CSDRQFN84_KG1050_INT1
APPROVED		SCALE	SHEET 3 OF 9	
MATERIAL				

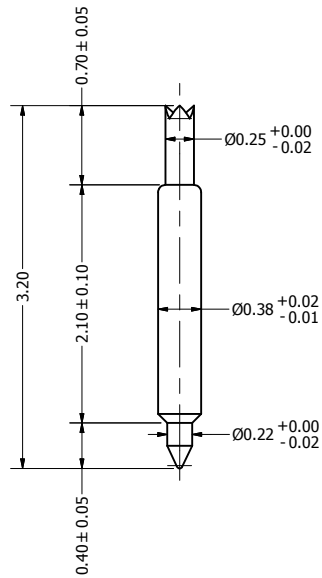
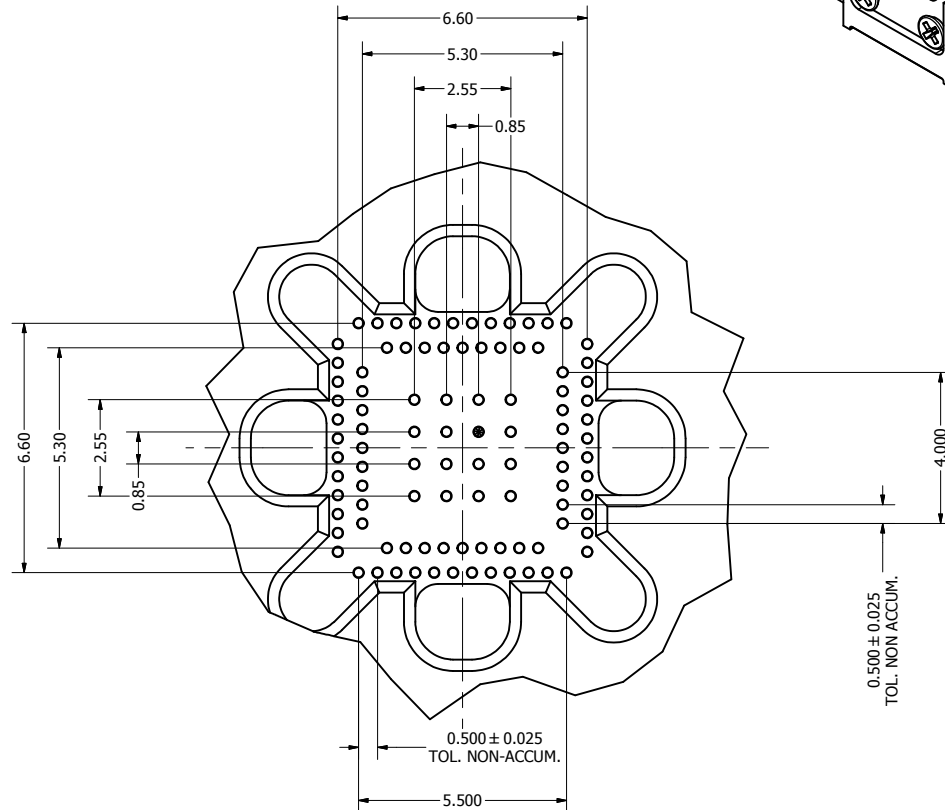
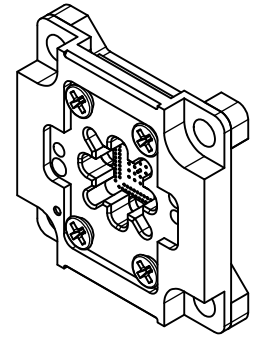
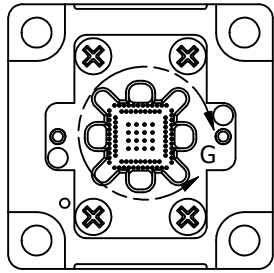


TOP VIEW
SCALE 3: 1




NOTES:
1- FINISH : BLACK ANODIZE.

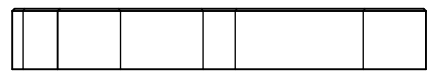
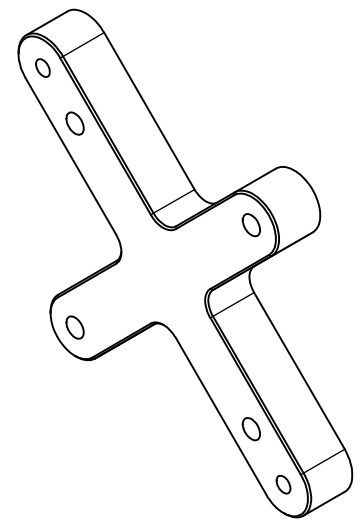
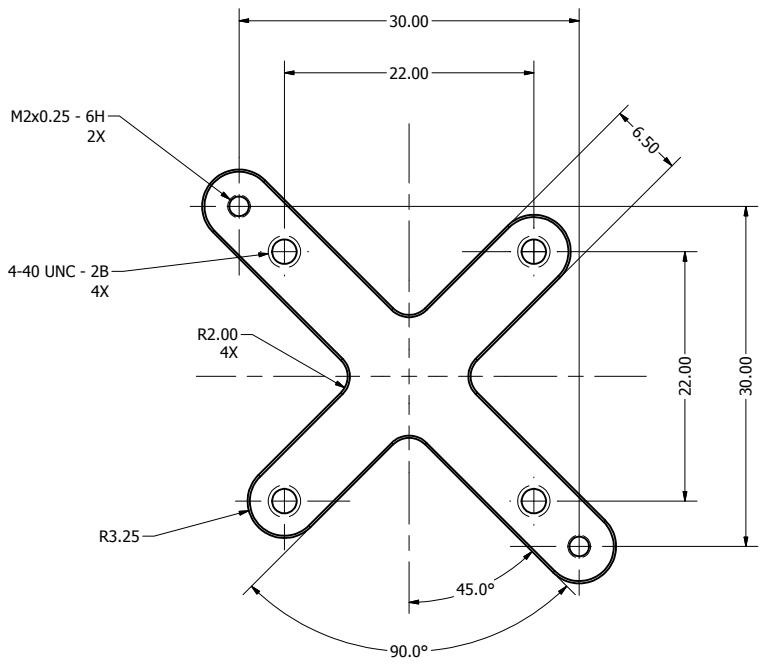
UNLESS OTHERWISE SPECIFIED DIMENSIONS ARE IN MILLIMETERS TOLERANCES DECIMALS .X ± .1 .XX ± .05 .XXX ± .030 ANGLES ±1'	DRAWN V Mojica	11/5/2010	 Contech Solutions Incorporated 631 Montague avenue San Leandro, Ca 94577		
	CHECKED V Mojica	11/10/2010			
	QA		TITLE 169-BGA CUSTOM ALUMINUM LID PN# CSDRQFN84-0.5-KG1050-INT1		
	MFG		SIZE C	DWG NO CSDRQFN84_KG1050_INT1	REV A1
	APPROVED		SCALE		SHEET 4 OF 9
	MATERIAL ALUMINUM-6061				



PIN CONTACT DETAIL
KG1-050-AR-1
SCALE 30 : 1


DETAIL G
SCALE 10 : 1

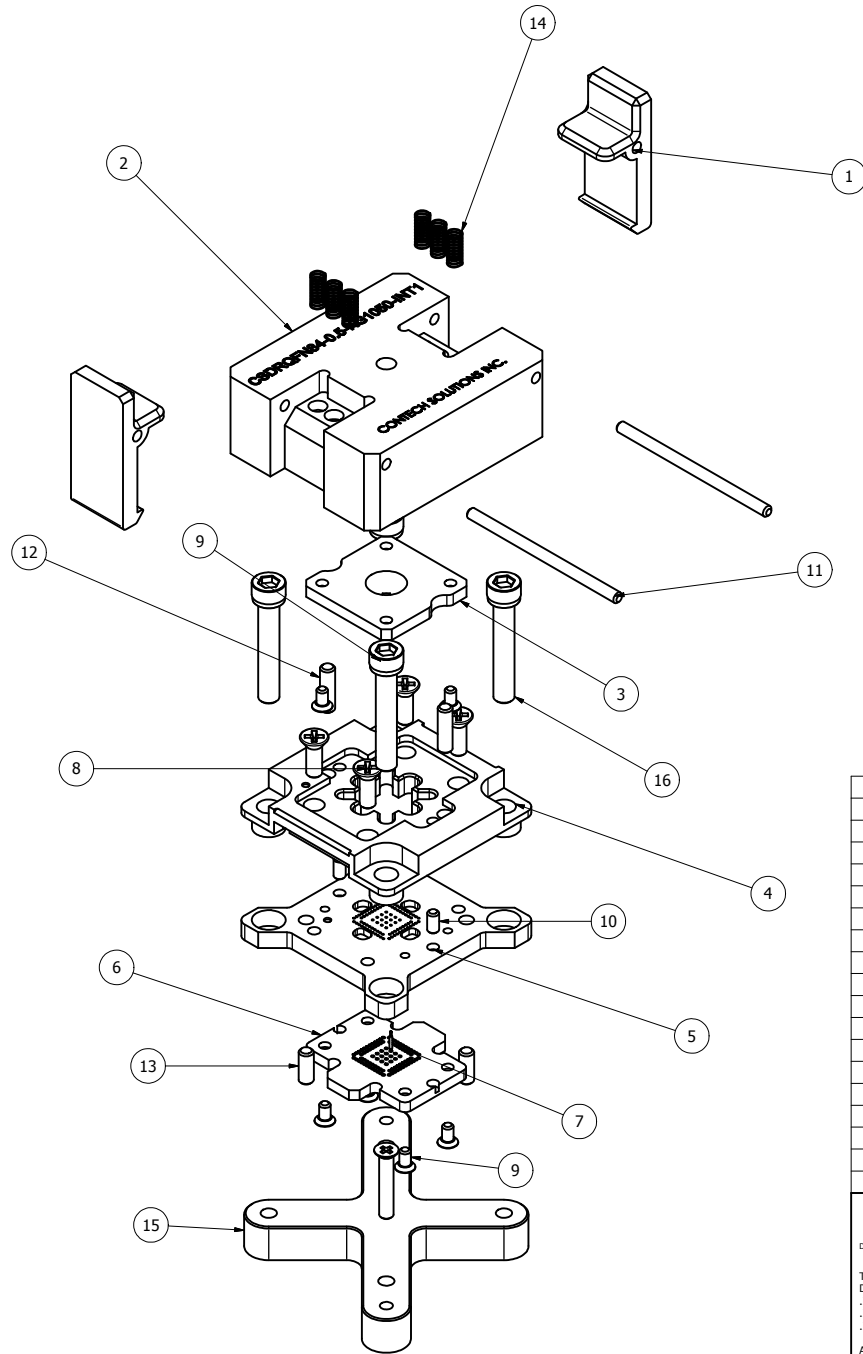
UNLESS OTHERWISE SPECIFIED DIMENSIONS ARE IN MILLIMETERS TOLERANCES DECIMALS .X ± .1 .XX ± .05 .XXX ± .030 ANGLES ±1'	DRAWN V Mojica	11/5/2010	 Contech Solutions Incorporated 631 Montague avenue San Leandro, Ca 94577	
	CHECKED V Mojica	11/10/2010		
	QA		TITLE	
	MFG		PN# CSDRQFN84-0.5-KG1050-INT1	
APPROVED		SIZE	DWG NO	REV
MATERIAL		C	CSDRQFN84_KG1050_INT1	A1
		SCALE	SHEET 5 OF 9	




NOTES:
 1- MATERIAL : ALUMINUM T6061
 2- FINISH: BLACK ANODIZED

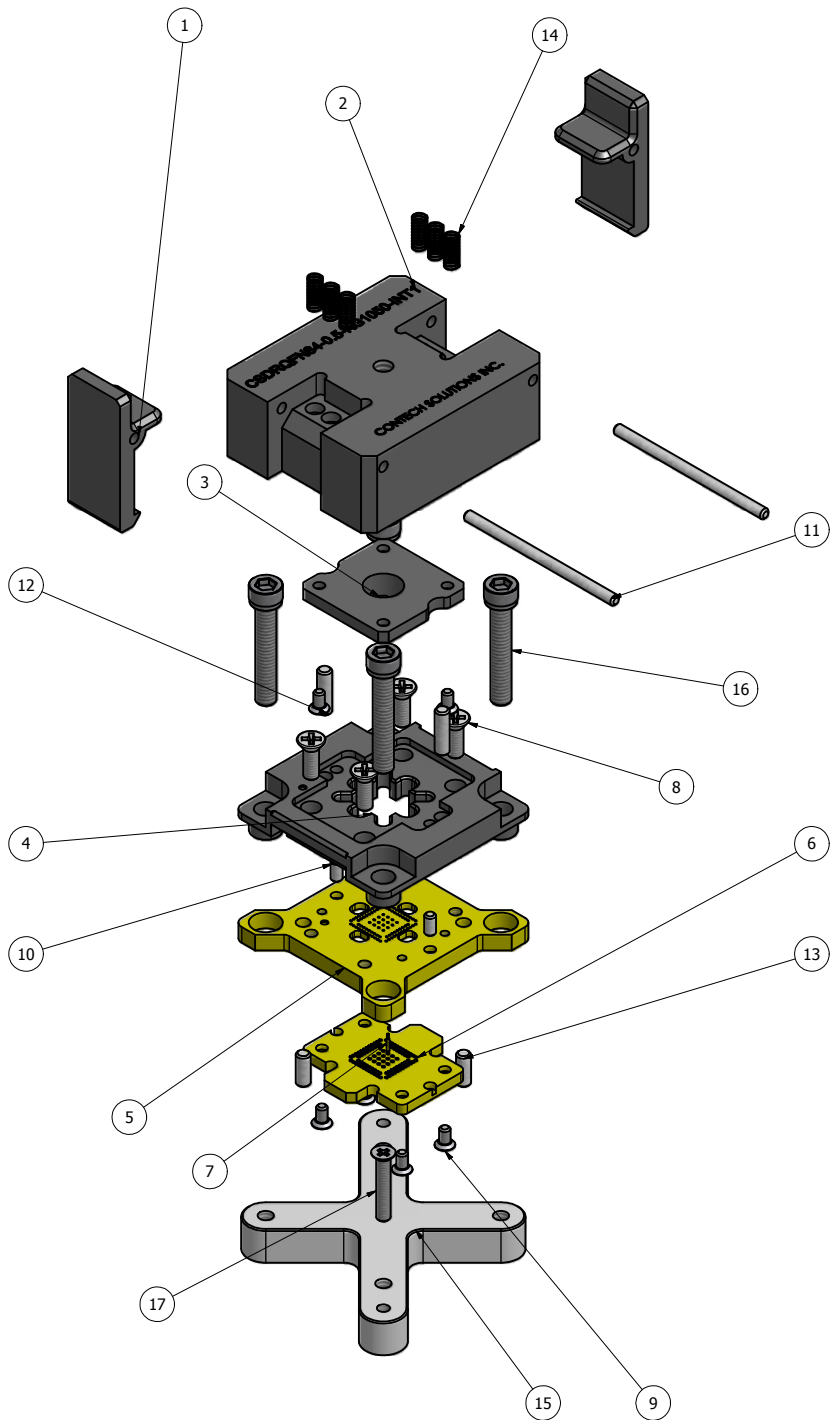
CONFIDENTIAL & PROPERTY OF CONTECH SOLUTIONS INC.

UNLESS OTHERWISE SPECIFIED DIMENSIONS ARE IN MILLIMETERS TOLERANCES DECIMALS .X ± .1 .XX ± .05 .XXX ± .030 ANGLES ±1'	DRAWN V Mojica	11/5/2010	 Contech Solutions Incorporated 631 Montague avenue San Leandro, Ca 94577
	CHECKED V Mojica	11/10/2010	
	QA		TITLE ALUMINUM STIFFENER PN# CSDRQFN84-0.5-KG1050-INT1
	MFG		SIZE C
APPROVED		DWG NO CSDRQFN84_KG1050_INT1	REV A1
MATERIAL		SCALE	SHEET 7 OF 9




PARTS LIST			
ITEM	QTY	PART NUMBER	DESCRIPTION
1	2	CSDRQFN84-0.5-KG105-INT1-LAT	ALUMINUM 6061/ ULTEM , LATCH
2	1	CSDRQFN84-0.5-KG105-INT1-LID	ALUMINUM-6061, LID
3	1	CSDRQFN84-0.5-KG105-INT1-PLG	ALUMINUM-6061, PLUNGER
4	1	CSBGA169-0.75-KG105-INT1-FRM	ALUMINUM-6061, GUIDE PLATE
5	1	CSDRQFN84-0.5-KG105-INT1-SKT	TORLON 4203, CONTACTOR
6	1	CSDRQFN84-0.5-KG105-INT1-PRN	TORLON 4203, PIN RETAINER
7	100	KG1-050H-AR-1	PIN CONTACTOR
8	4	2C25PFMS	2-56 x 1/4 PHIL FLAT HD SCREW
9	8	0F125PFVS	#0-80 UNC X 1/8 PHIL FLAT HD
10	2	06R12DOWS	Ø1/16 X 1/8 L STNLS DOWEL PIN
11	2	6R110DOWS	0.0625" DIA. X 1.10" L SST DOWEL PIN
12	2	2R7DOWS	Ø2.00mm X 7mm L STNLS DOWEL PIN
13	2	2R5DOWS	Ø2.00mmX 5.00mm L STNLS DOWEL PIN
14	6	N-2	COMPRESSION SPRING
15	1	CSDRQFN84-0.5-KG105-INT1-STR	ALUMINUM-6061 , STIFFENER
16	4	4C625SHCS	#4-40 UNC X 5/8 SOC CAP STNLS
17	2	M2X0.25-10 PFVS	M2 X 0.25 X 10 PHIL FLAT HD

UNLESS OTHERWISE SPECIFIED DIMENSIONS ARE IN MILLIMETERS TOLERANCES DECIMALS .X ± .1 .XX ± .05 .XXX ± .030 ANGLES ±1'	DRAWN	V Mojica	11/5/2010	 Contech Solutions Incorporated 631 Montague avenue San Leandro, Ca 94577					
	CHECKED	V Mojica	11/10/2010						
	MFG								
	APPROVED								
	MATERIAL			TITLE	169-BGA SOCKET ASSEMBLY PN# CSDRQFN84-0.5-KG1050-INT1				
				SIZE	C	DWG NO	CSDRQFN84_KG1050_INT1	REV	A1
				SCALE					



PARTS LIST			
ITEM	QTY	PART NUMBER	DESCRIPTION
1	2	CSDRQFN84-0.5-KG105-INT1-LAT	ALUMINUM 6061/ ULTEM , LATCH
2	1	CSDRQFN84-0.5-KG105-INT1-LID	ALUMINUM-6061, LID
3	1	CSDRQFN84-0.5-KG105-INT1-PLG	ALUMINUM-6061, PLUNGER
4	1	CSBGA169-0.75-KG105-INT1-FRM	ALUMINUM-6061, GUIDE PLATE
5	1	CSDRQFN84-0.5-KG105-INT1-SKT	TORLON 4203, CONTACTOR
6	1	CSDRQFN84-0.5-KG105-INT1-PRN	TORLON 4203, PIN RETAINER
7	100	KG1-050H-AR-1	PIN CONTACTOR
8	4	2C25PFMS	2-56 x 1/4 PHIL FLAT HD SCREW
9	8	0F125PFVS	#0-80 UNC X 1/8 PHIL FLAT HD
10	2	06R12DOWS	Ø1/16 X 1/8 L STNLS DOWEL PIN
11	2	6R110DOWS	0.0625" DIA. X 1.10" L SST DOWEL PIN
12	2	2R7DOWS	Ø2.00mm X 7mm L STNLS DOWEL PIN
13	2	2R5DOWS	Ø2.00mmX 5.00mm L STNLS DOWEL PIN
14	6	N-2	COMPRESSION SPRING
15	1	CSDRQFN84-0.5-KG105-INT1-STR	ALUMINUM-6061 , STIFFENER
16	4	4C625SHCS	#4-40 UNC X 5/8 SOC CAP STNLS
17	2	M2X0.25-10 PFVS	M2 X 0.25 X 10 PHIL FLAT HD

UNLESS OTHERWISE SPECIFIED DIMENSIONS ARE IN MILLIMETERS TOLERANCES DECIMALS .X ± .1 .XX ± .05 .XXX ± .030 ANGLES ±1°	DRAWN V Mojica 11/5/2010	 Contech Solutions Incorporated 631 Montague avenue San Leandro, Ca 94577	TITLE 169-BGA SOCKET ASSEMBLY PN# CSDRQFN84-0.5-KG1050-INT1
	CHECKED V Mojica 11/10/2010		
	QA		
	MFG		
APPROVED	SIZE C	DWG NO CSDRQFN84_KG1050_INT1	REV A1
MATERIAL	SCALE	SHEET 9 OF 9	