
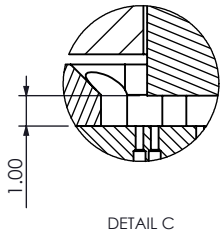
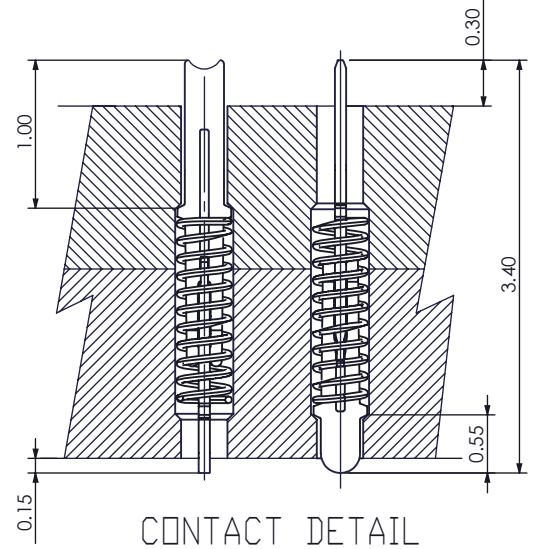
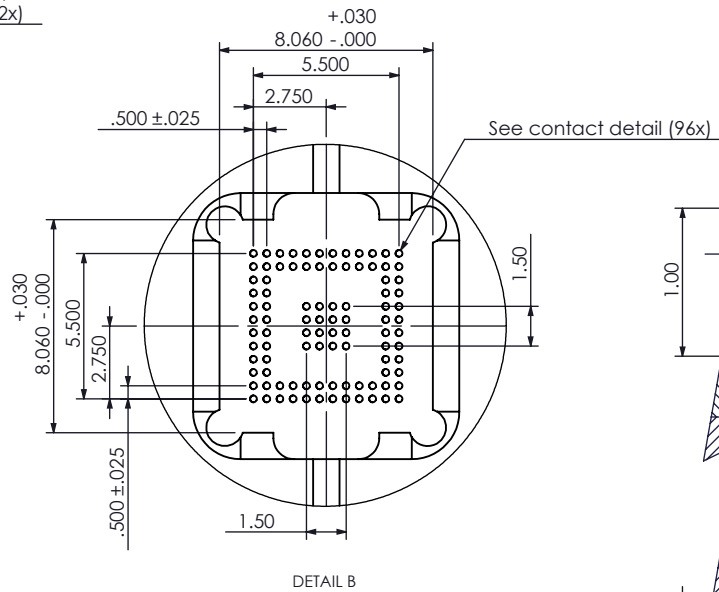
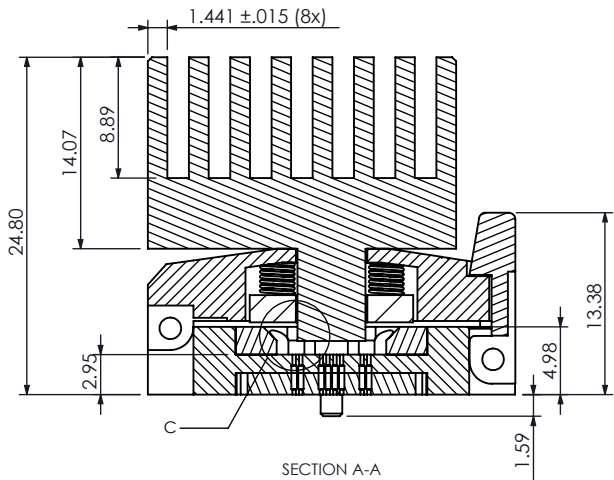
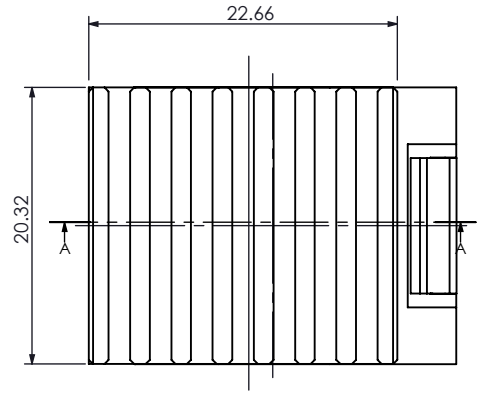
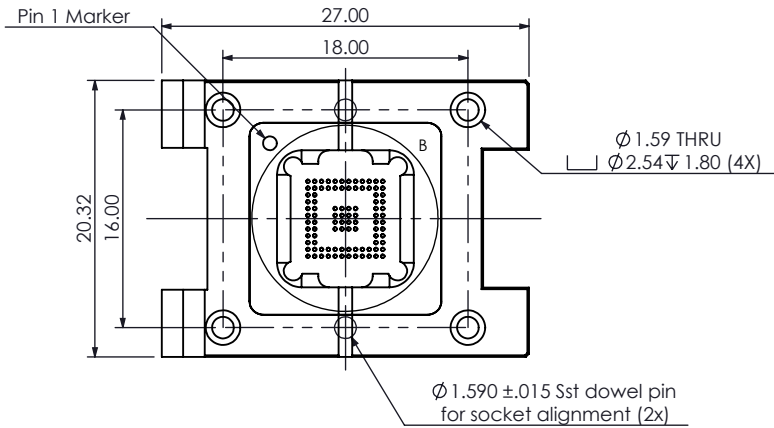



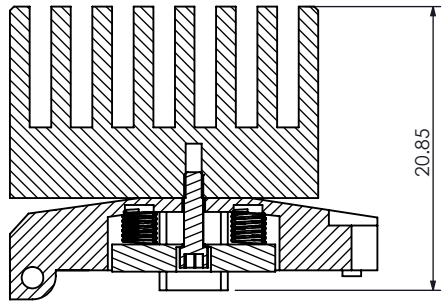
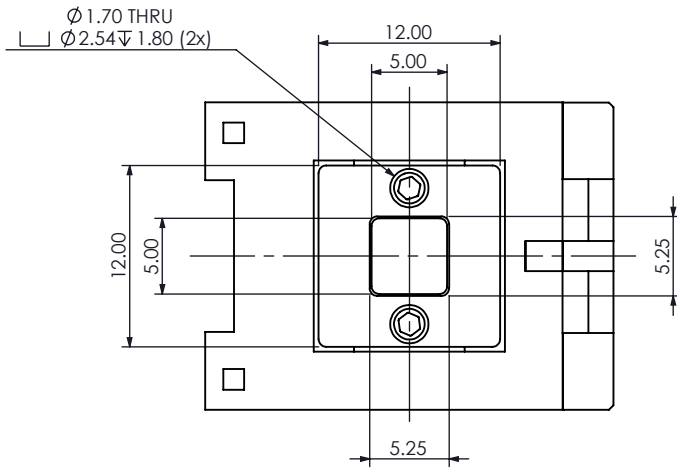
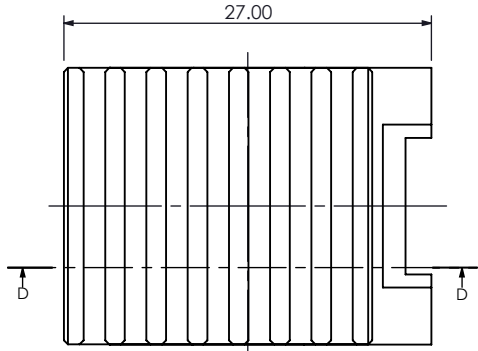
CONFIDENTIAL AND PROPERTY OF CONTECH SOLUTION INC.

UNLESS OTHERWISE SPECIFIED DIMENSIONS ARE IN MILLIMETERS TOLERANCES: ANGLES ± 1° X .±0.1 XX .±0.05 XXX .±0.025 DIMENSIONAL LIMITS APPLY BEFORE PROCESSES REMOVE ALL BURRS AND SHARP EDGES	DSGN BY	V MOJICA	DATE	05/05/09	 Contech Solutions Incorporated 631 Montague Avenue San Leandro, CA 94577
	DWNN BY	J PORTILLO	DATE	05/05/09	
	CHK BY	V MOJICA	DATE	05/05/09	Footprint drawing for semi custom socket 0.5mm pitch PN# CSCSP96-0.5-RCS-FINS1
	APVD BY	--	DATE	--	
MATERIAL	FINISH	APVD BY	--	DATE	--
SIZE	FSCM #	DRAWING #	REV		
A	----	CSCSP96_0.5_FINS1_FTP	A2		
SCALE	-		05/20/09		
			SHEET 1 OF 3		



CONFIDENTIAL AND PROPERTY OF CONTECH SOLUTION INC.

UNLESS OTHERWISE SPECIFIED		DSGN BY	V MOJICA	DATE	05/05/09	 Contech Solutions Incorporated 631 Montague Avenue San Leandro, CA 94577
DIMENSIONS ARE IN MILLIMETERS		DWNN BY	J PORTILLO	DATE	05/05/09	
TOLERANCES: ANGLES $\pm 1^\circ$		CHK BY	V MOJICA	DATE	05/05/09	
X . ± 0.1		APVD BY	--	DATE	--	
XX . ± 0.05		APVD BY	--	DATE	--	
XXX . ± 0.025						Drawing for semi custom socket 0.5mm pitch PN# CSCSP96-0.5-RCS-FINS1
DIMENSIONAL LIMITS APPLY BEFORE PROCESSES						
REMOVE ALL BURRS AND SHARP EDGES						
MATERIAL		Torton/Pei/Aluminum				SIZE A FSCM # ---- DRAWING # CSCSP96_0.5_FINS1_SKT SCALE -
						REV A2 05/20/09 SHEET 2 OF 3



SECTION D-D

UNLESS OTHERWISE SPECIFIED DIMENSIONS ARE IN MILLIMETERS TOLERANCES: ANGLES ± 1° X .±0.1 XX .±0.05 XXX .±0.025 DIMENSIONAL LIMITS APPLY BEFORE PROCESSES REMOVE ALL BURRS AND SHARP EDGES	DSGN BY	V MOJICA	DATE	05/05/09
	DWNN BY	J PORTILLO	DATE	05/05/09
	CHK BY	V MOJICA	DATE	05/05/09
	APVD BY	--	DATE	--
	APVD BY	--	DATE	--
MATERIAL	Torton/Pei/Aluminum		FINISH	



Contech Solutions Incorporated
631 Montague Avenue
San Leandro, CA 94577

Drawing for semi custom socket 0.5mm pitch
PN# CSCSP96-0.5-RCS-FINS1

SIZE	FSCM #	DRAWING #	REV
A	----	CSCSP96_0.5_FINS1_LID	A2 05/20/09
SCALE	-		SHEET 3 OF 3