
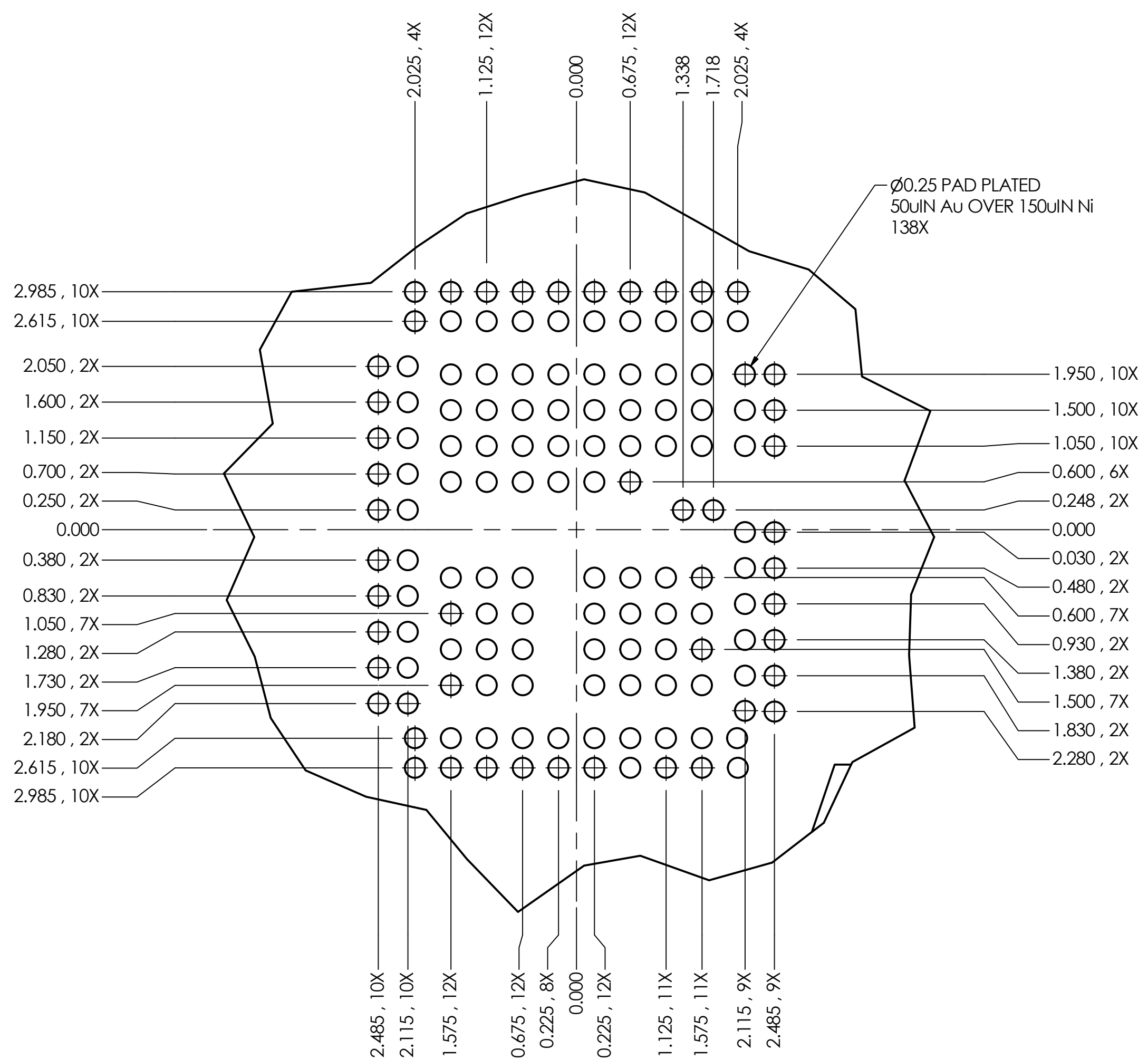
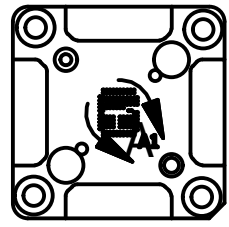


TOP VIEW
SCALE 5 : 1

UNLESS OTHERWISE SPECIFIED DIMENSIONS ARE IN MILLIMETERS TOLERANCES DECIMALS .X ± .1 .XX ± .05 .XXX ± .030 ANGLES ±1°	DRAWN V Mojica	4/24/2015	 Contech Solutions Incorporated 631 Montague avenue San Leandro, Ca 94577
	CHECKED	9/2/2019	
	QA		TITLE FOOTPRINT DRAWING FOR SPS3 5.0X6.0, 0.45 PITCH P# CSQFN41-CS1562-FCH1
	MFG		SIZE C
APPROVED		DWG NO CSQFN41-CS1562-FCH1	REV B
MATERIAL		SCALE	SHEET 1 OF 7

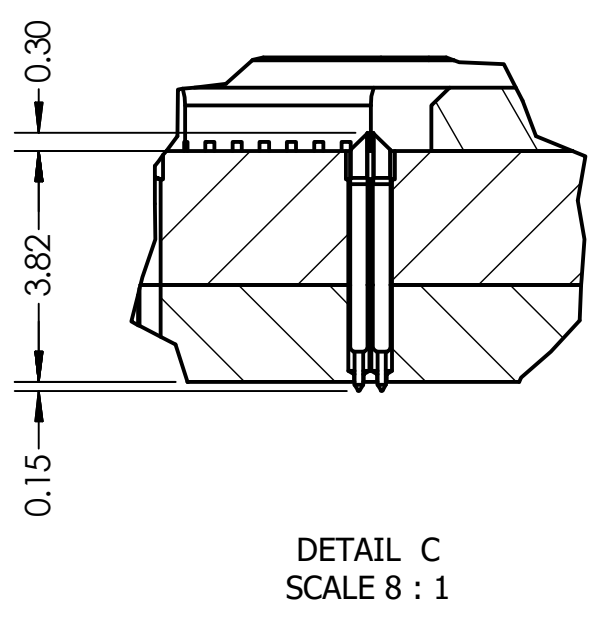
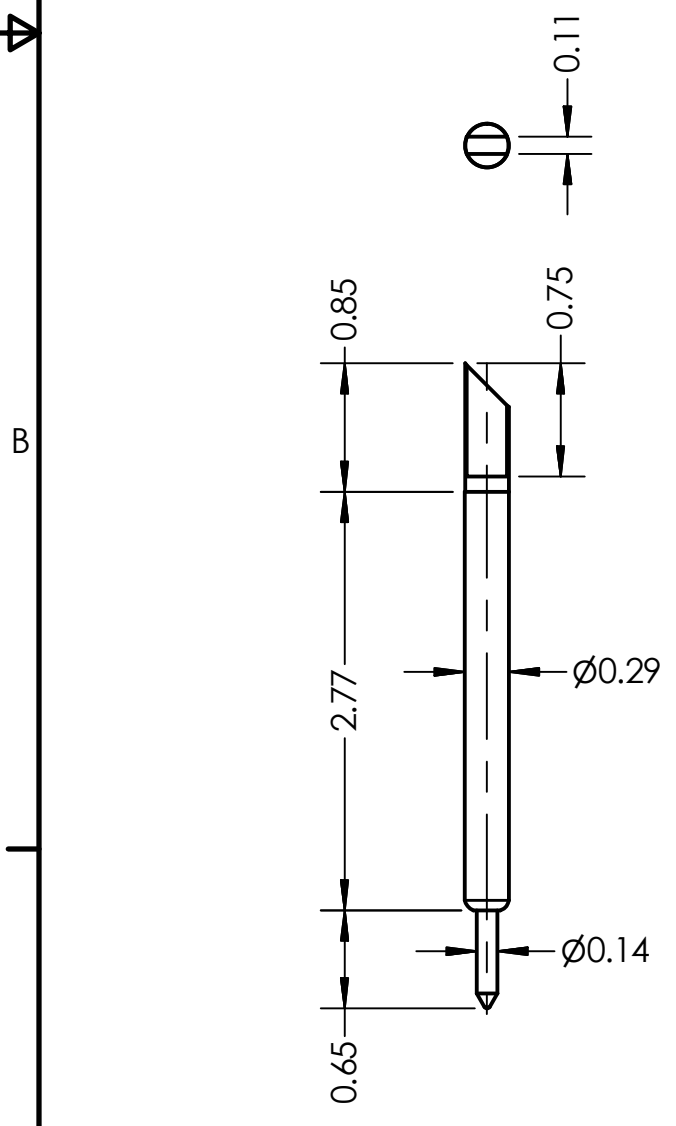
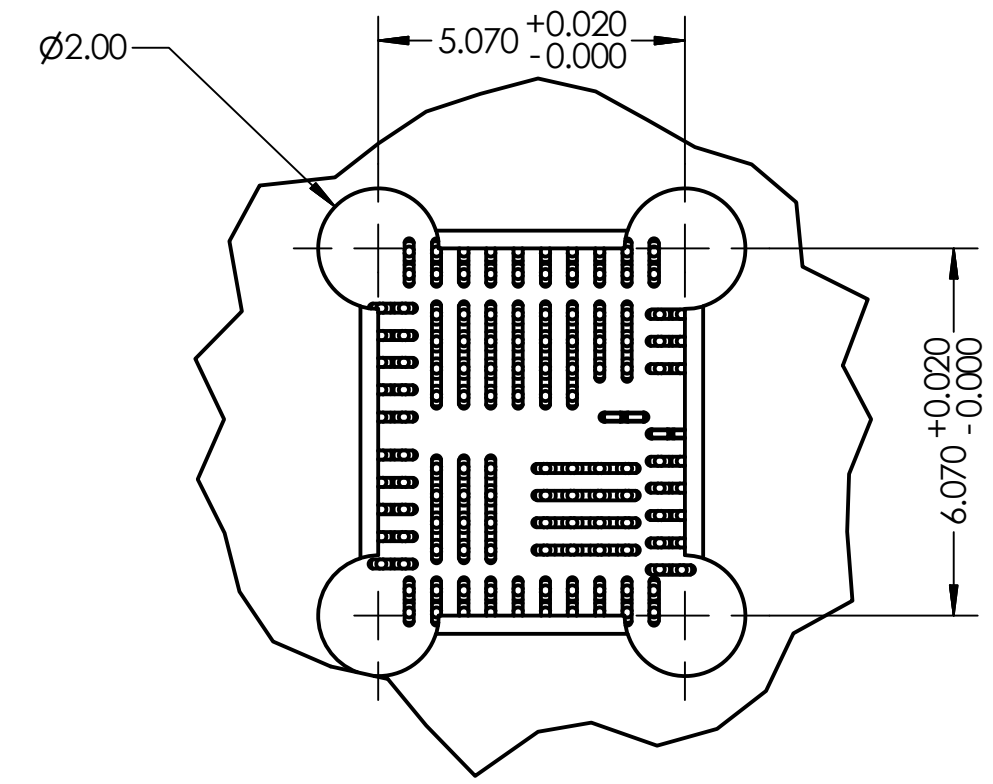
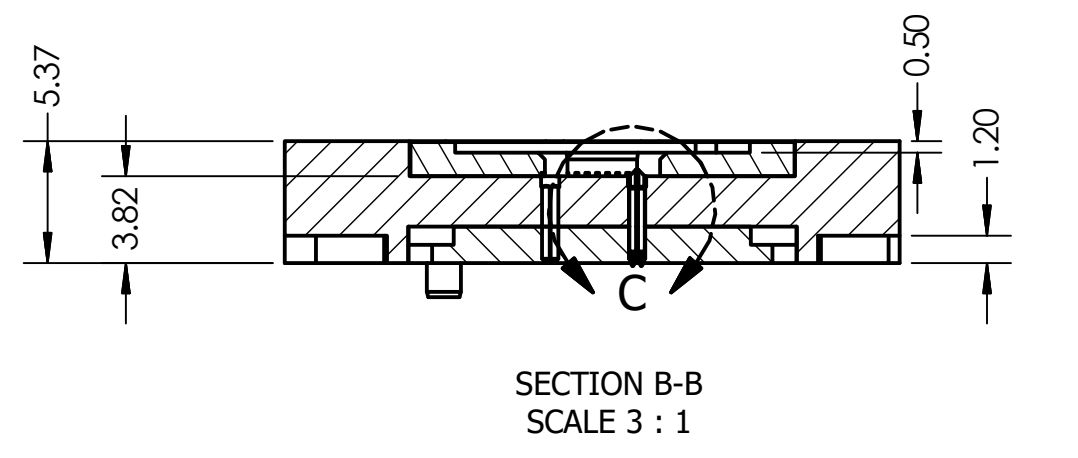
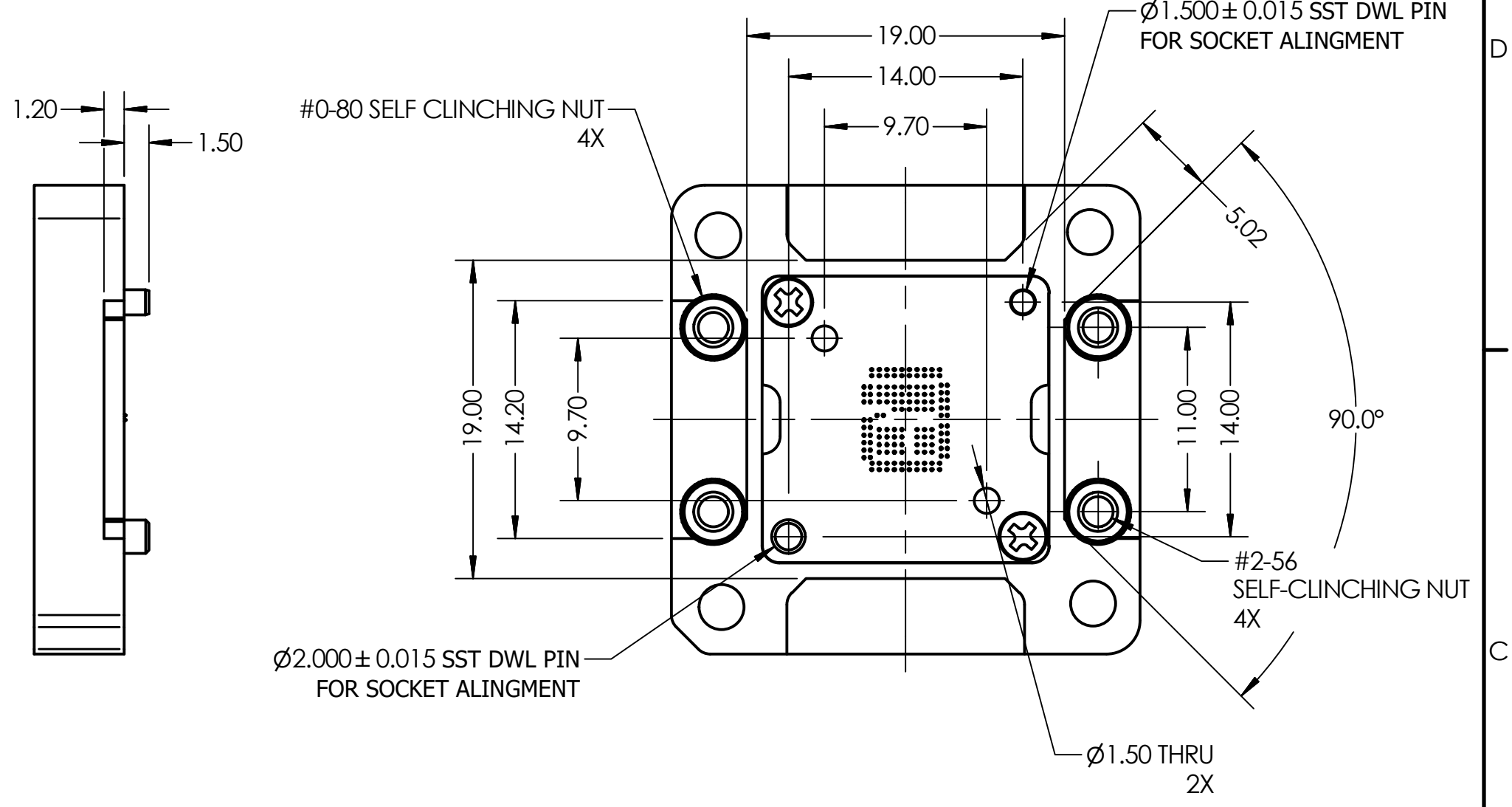
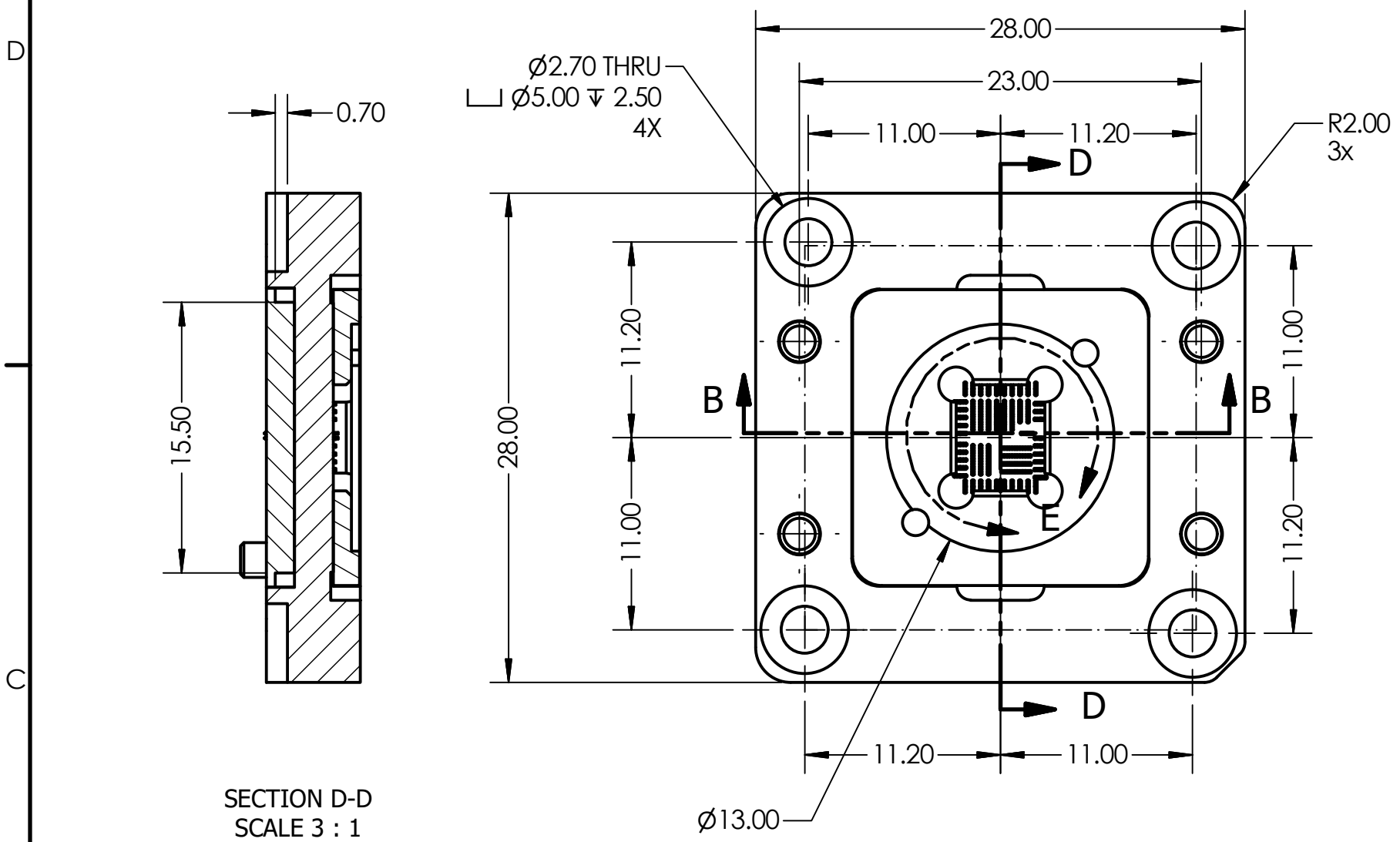


Ø0.25 PAD PLATED
50uIN Au OVER 150uIN Ni
138X

DETAIL A
SCALE 20: 1

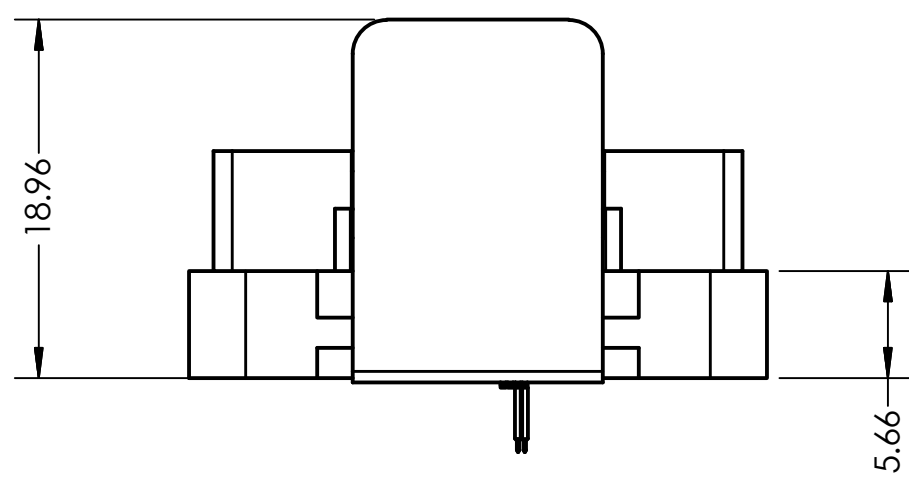
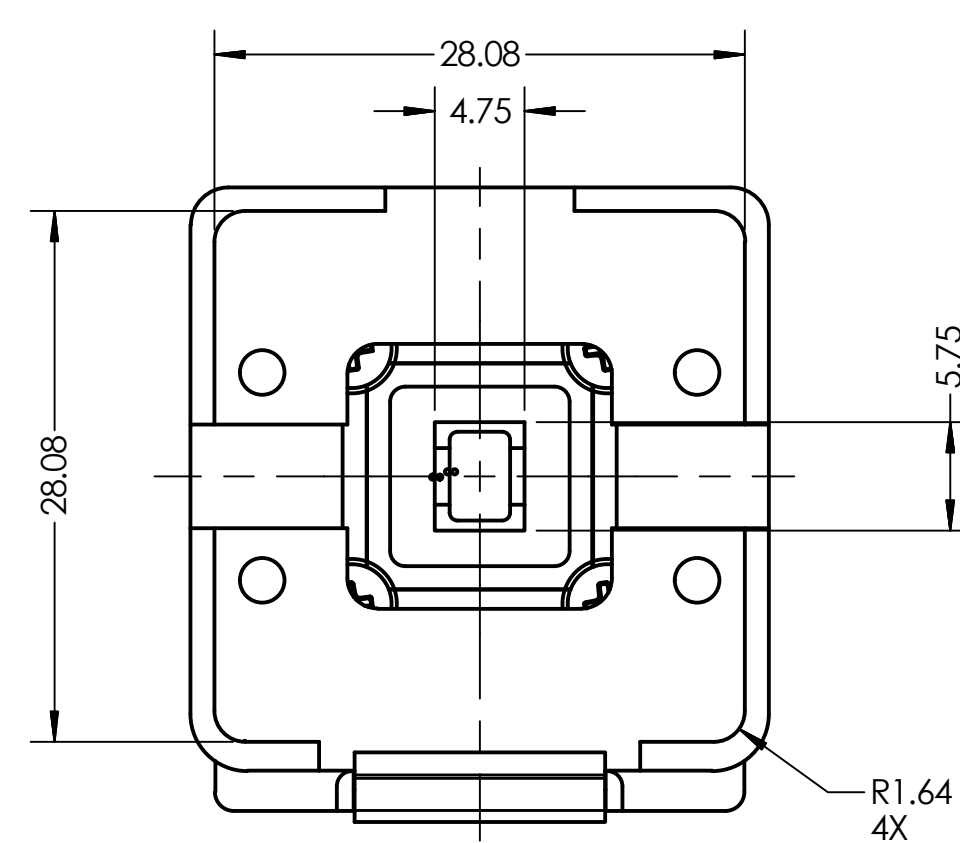
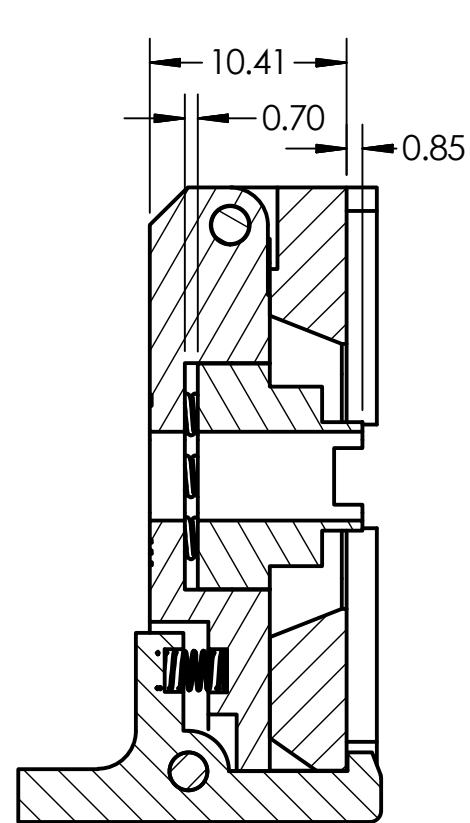
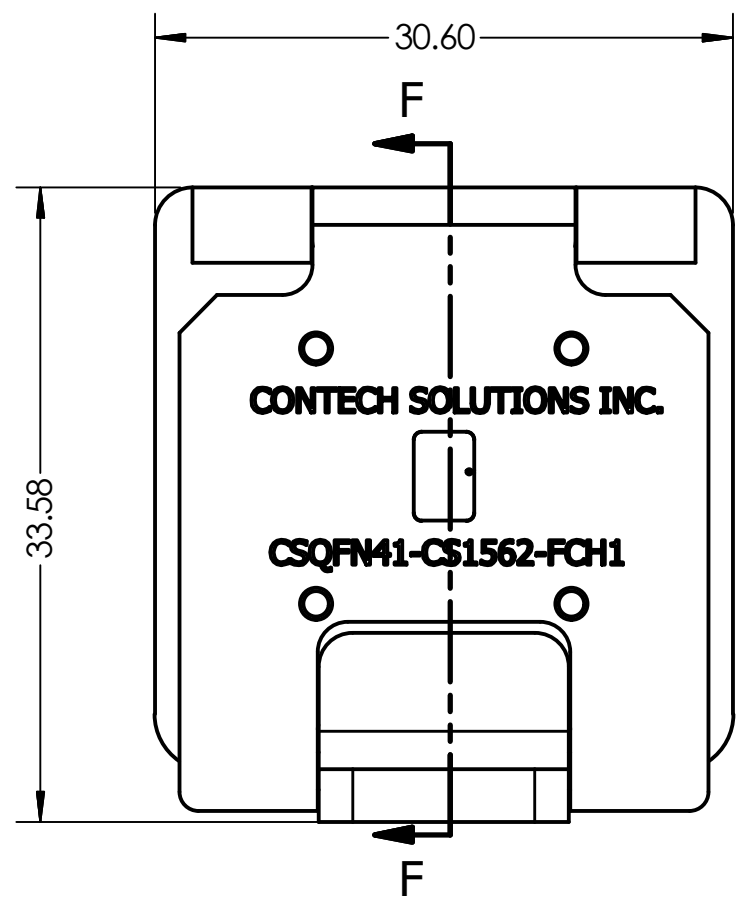
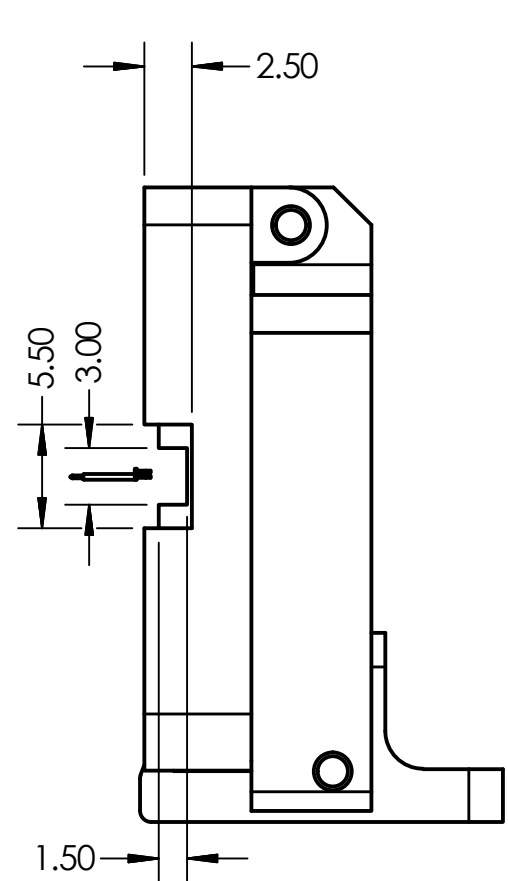
UNLESS OTHERWISE SPECIFIED DIMENSIONS ARE IN MILLIMETERS TOLERANCES DECIMALS .X ± .1 .XX ± .05 .XXX ± .030 ANGLES ±1'	DRAWN V Mojica	4/24/2015		Contech Solutions Incorporated 631 Montague avenue San Leandro, Ca 94577		
	CHECKED	9/2/2019		TITLE P# CSQFN41-CS1562-FCH1		
	QA			SIZE C	DWG NO CSQFN41-CS1562-FCH1	REV B
	MFG			SCALE	SHEET 2 OF 7	
	APPROVED					
	MATERIAL					

REVISION HISTORY		
REV	DESCRIPTION	DATE
B	PIN CONTACT CHANGED (CS1562-EF TO CS1562-DE)	10/24/2019

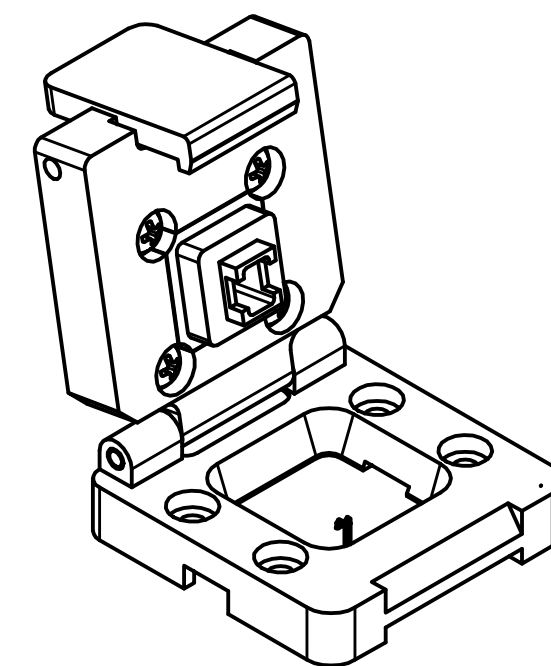
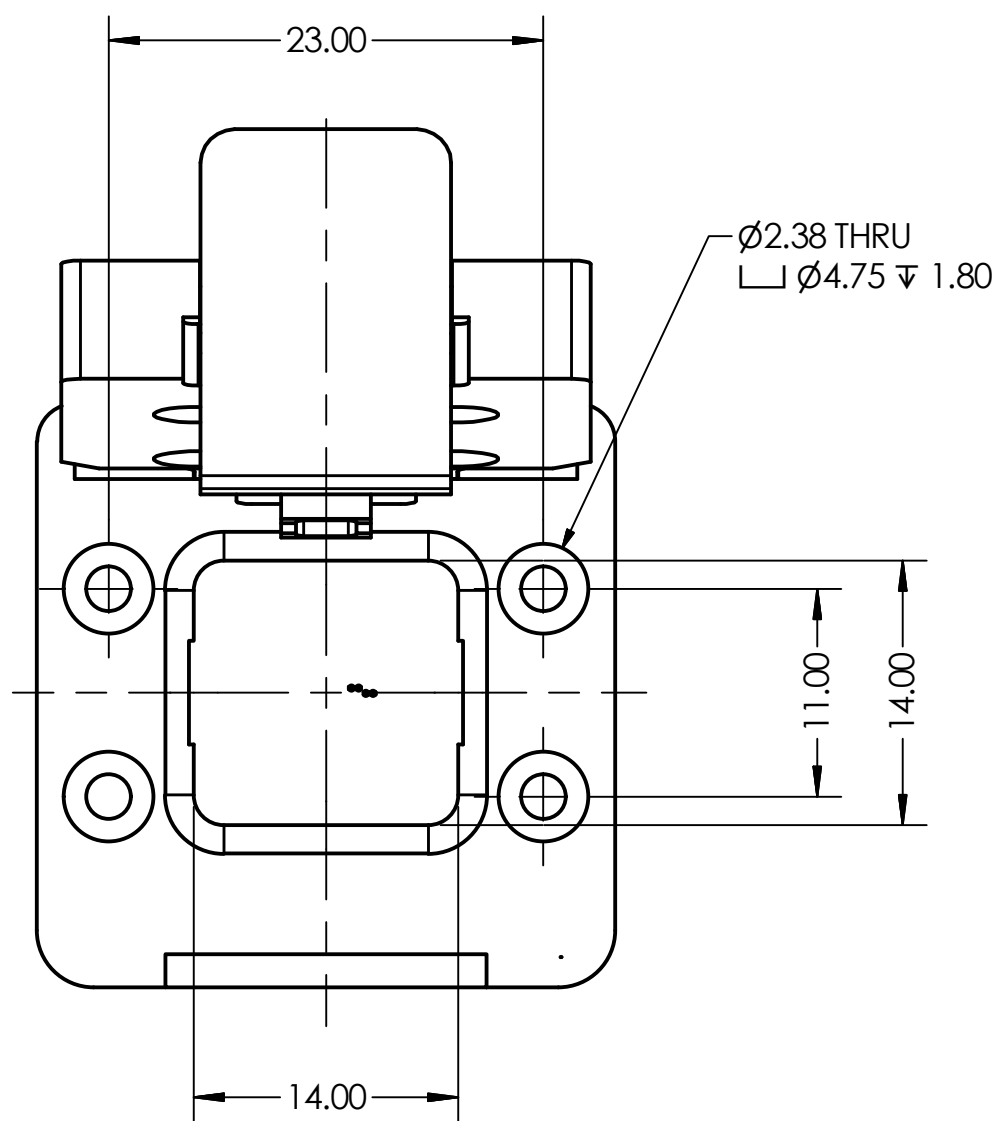



PIN CONTACT DETAIL
CS1562-DE
SCALE 20 : 1

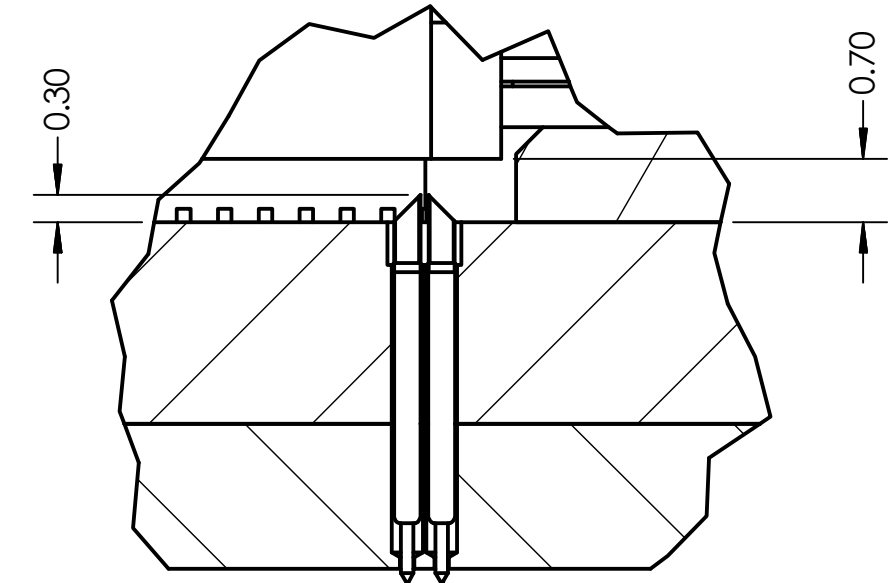
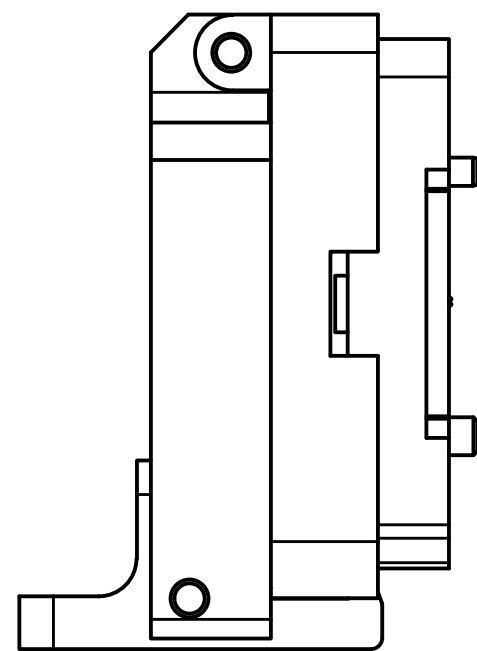
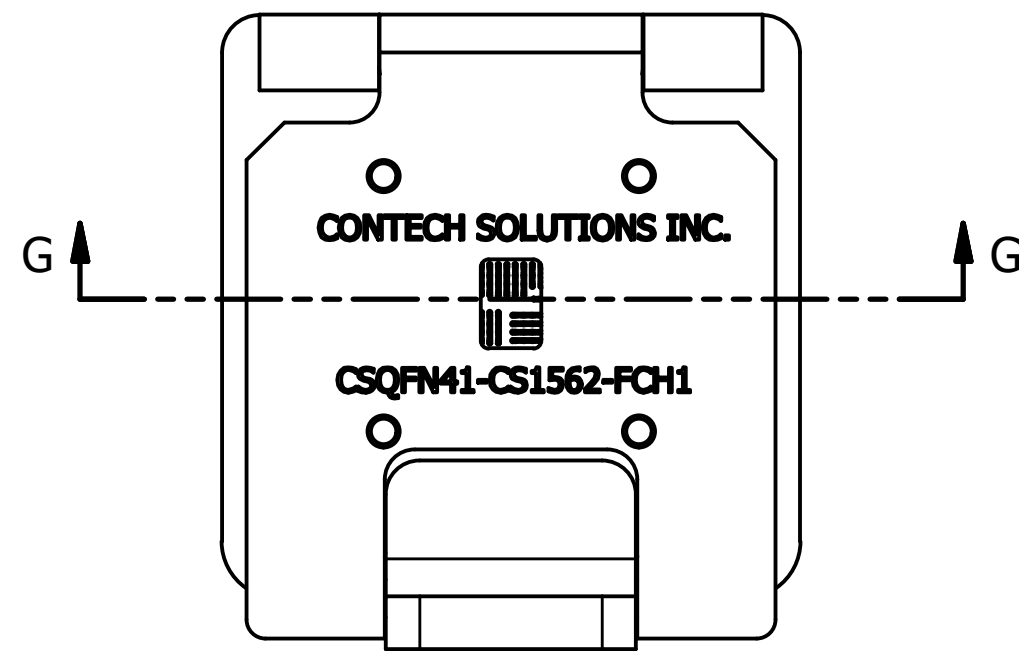
UNLESS OTHERWISE SPECIFIED DIMENSIONS ARE IN MILLIMETERS TOLERANCES DECIMALS .X ± .1 .XX ± .05 .XXX ± .030 ANGLES ±1'	DRAWN V Mojica	4/24/2015	Contech Solutions Incorporated 631 Montague avenue San Leandro, Ca 94577
	CHECKED	9/2/2019	
	QA		TITLE CUSTOM CONTACTOR DRAWING FOR SPS3 5.0X6.0, 0.45 PITCH P# CSQFN41-CS1562-FCH1
	MFG		SIZE C
APPROVED		DWG NO CSQFN41-CS1562-FCH1	REV B
MATERIAL TORLON 4203		SCALE	SHEET 3 OF 7



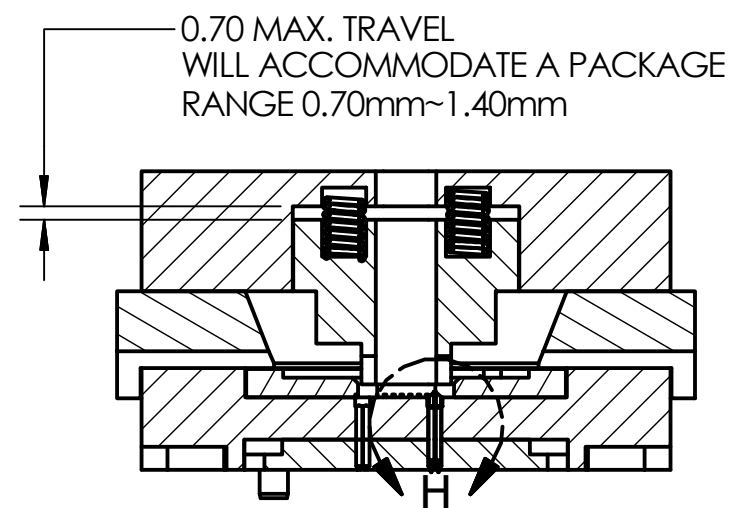
SECTION F-F
SCALE 2.5



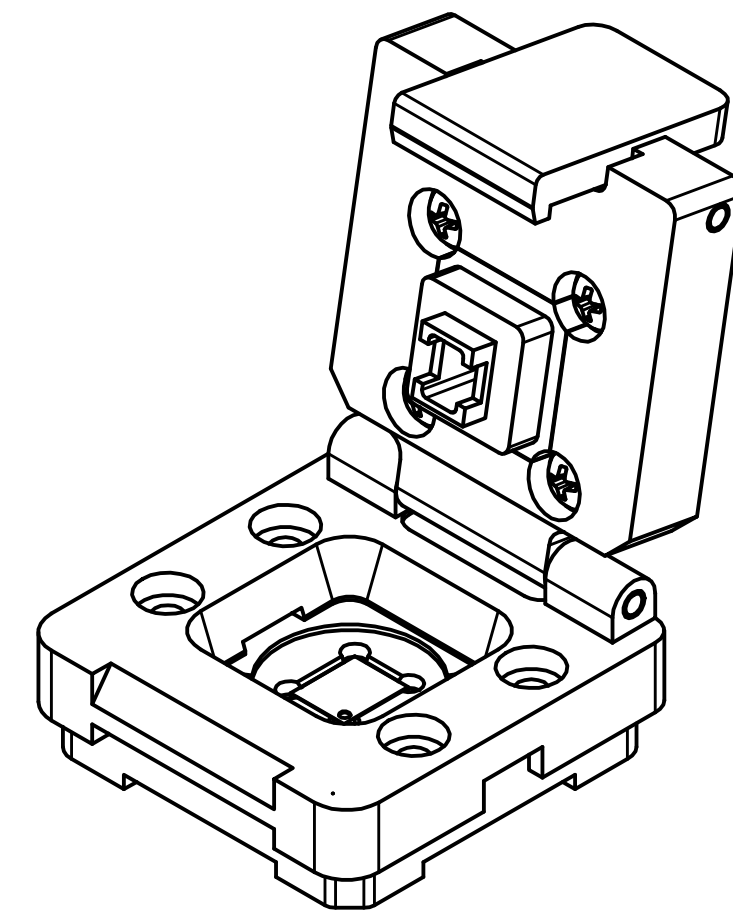
UNLESS OTHERWISE SPECIFIED DIMENSIONS ARE IN MILLIMETERS TOLERANCES DECIMALS .X ± .1 .XX ± .05 .XXX ± .030 ANGLES ±1'	DRAWN V Mojica	4/24/2015	 Contech Solutions Incorporated 631 Montague avenue San Leandro, Ca 94577	TITLE P# CSQFN41-CS1562-FCH1	
	CHECKED	9/2/2019			
	QA		SIZE C	DWG NO CSQFN41-CS1562-FCH1	REV B
	MFG		SCALE		
	APPROVED				
MATERIAL					
			SHEET 4 OF 7		




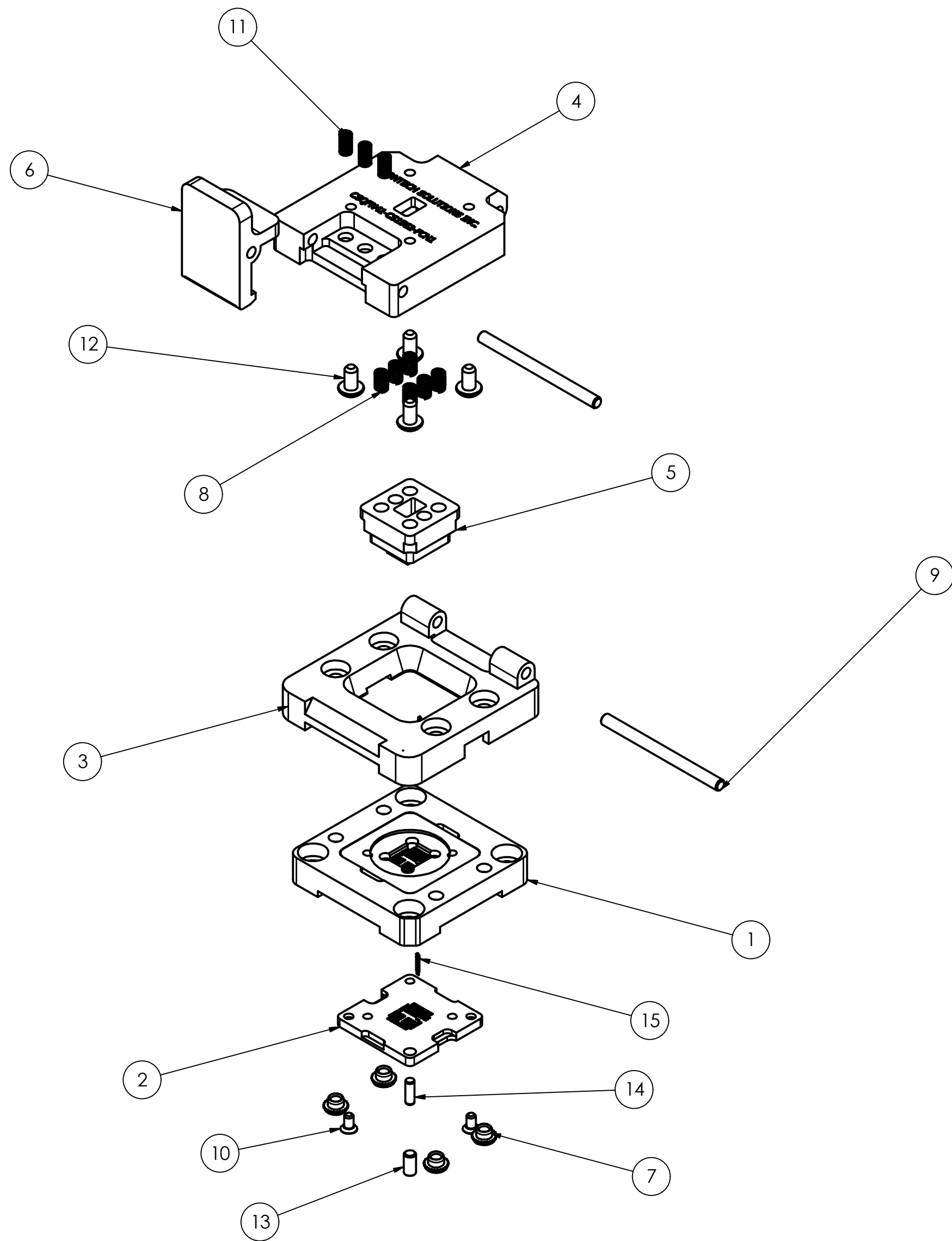
DETAIL H
SCALE 12 : 1



SECTION G-G
SCALE 2.5 : 1

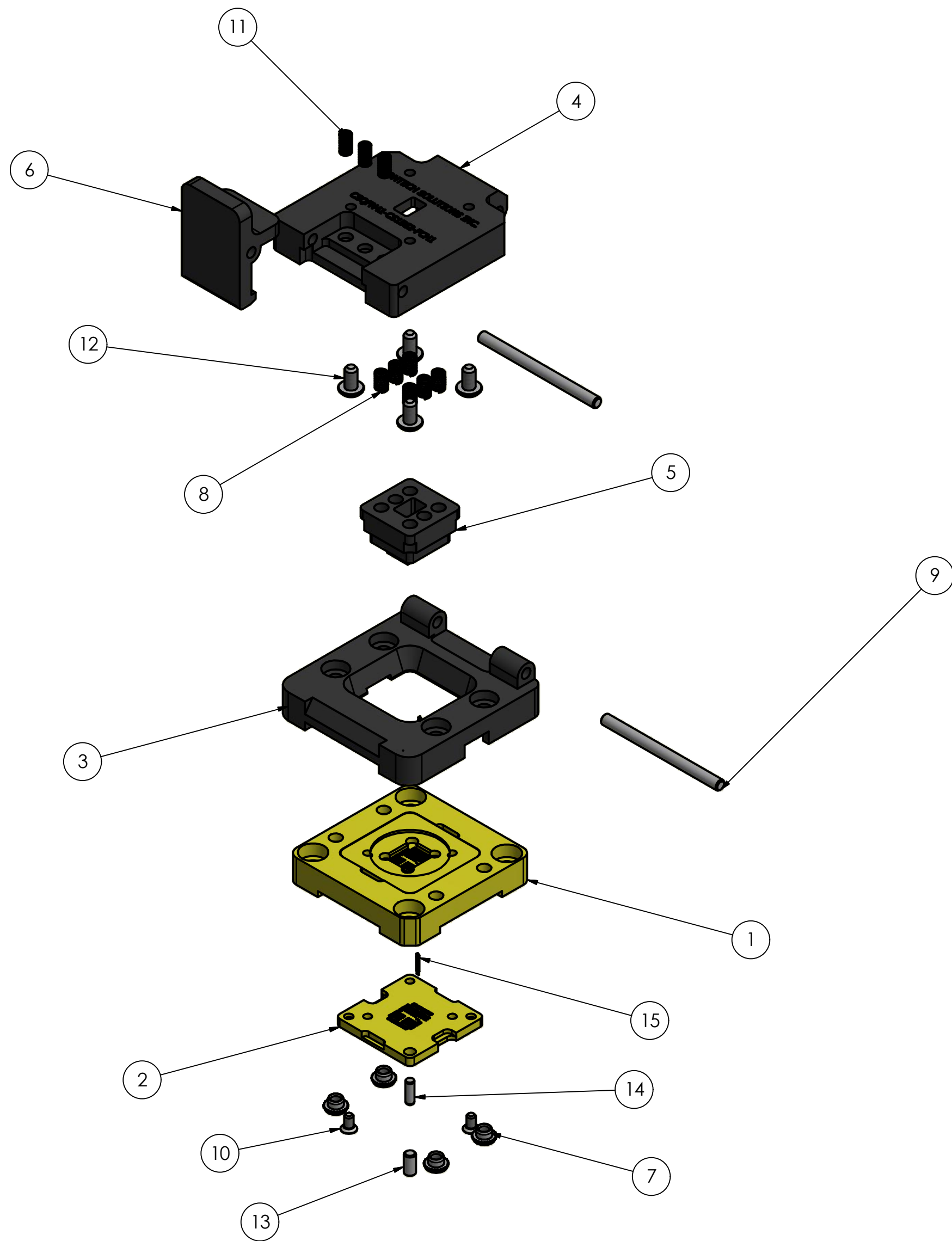


UNLESS OTHERWISE SPECIFIED DIMENSIONS ARE IN MILLIMETERS	DRAWN V Mojica	4/24/2015	 Contech Solutions Incorporated 631 Montague avenue San Leandro, Ca 94577
	CHECKED	9/2/2019	
TOLERANCES DECIMALS .X ± .1 .XX ± .05 .XXX ± .030 ANGLES ±1°	QA		TITLE
	MFG		P# CSQFN41-CS1562-FCH1
	APPROVED		SIZE C
	MATERIAL		DWG NO CSQFN41-CS1562-FCH1
			REV B
			SCALE
			SHEET 5 OF 7




PARTS LIST			
ITEM	QT	PART NUMBER	DESCRIPTION
1	1	CSQFN41-CS1562-FCH1-001	CONTACTOR-TORLON 4203
2	1	CSQFN41-CS1562-FCH1-002	PIN RETAINER-TORLON 4203
3	1	CSQFN41-CS1562-FCH1-003	LID BASE -BLACK ULTEM
4	1	CSQFN41-CS1562-FCH1-004	LID , BLACK ULTEM
5	1	CSQFN41-CS1562-FCH1-005	PLUNGER , BLACK ULTEM
6	1	CS-520-335-1-L	LATCH - BLACK ULTEM
7	4	U-256-0	#2-56 MICRO SELF CLINCHING NUT
8	6	C03-012-008	COMPRESSION SPRING RATE @ 11.10 lbs/in
9	2	2R30DOWS	Ø2.00MM X 30.00MM L STNLS DOWEL PIN
10	2	0F125PFVS	#0-80 UNC X 1/8 PHIL FLAT HD
11	3	N-2	COMPRESSION SPRING
12	4	2C18PNHD	#2-56 X 1/4" UNC PHIL PAN HEAD SCREW
13	1	2R4DOWS	Ø2.00MM X 4.00MM L STNLS DOWEL PIN
14	1	93600A050	M1.5 DIAMETER , 4MM LENGTH SST DWL PIN
15	138	CS1562-DE	PIN CONTACT

UNLESS OTHERWISE SPECIFIED DIMENSIONS ARE IN MILLIMETERS TOLERANCES DECIMALS .X ± .1 .XX ± .05 .XXX ± .030 ANGLES ±1'	DRAWN V Mojica CHECKED	4/24/2015 9/2/2019	Contech Solutions Incorporated 631 Montague avenue San Leandro, Ca 94577	
	QA			TITLE
	MFG		P# CSQFN41-CS1562-FCH1	
	APPROVED		SIZE C	DWG NO CSQFN41-CS1562-FCH1
MATERIAL		SCALE	REV B	
			SHEET 6 OF 7	



PARTS LIST			
ITEM	QT	PART NUMBER	DESCRIPTION
1	1	CSQFN41-CS1562-FCH1-001	CONTACTOR-TORLON 4203
2	1	CSQFN41-CS1562-FCH1-002	PIN RETAINER-TORLON 4203
3	1	CSQFN41-CS1562-FCH1-003	LID BASE -BLACK ULTEM
4	1	CSQFN41-CS1562-FCH1-004	LID , BLACK ULTEM
5	1	CSQFN41-CS1562-FCH1-005	PLUNGER , BLACK ULTEM
6	1	CS-520-335-1-L	LATCH - BLACK ULTEM
7	4	U-256-0	#2-56 MICRO SELF CLINCHING NUT
8	6	C03-012-008	COMPRESSION SPRING RATE @ 11.10 lbs/in
9	2	2R30DOWS	Ø2.00MM X 30.00MM L STNLS DOWEL PIN
10	2	0F125PFVS	#0-80 UNC X 1/8 PHIL FLAT HD
11	3	N-2	COMPRESSION SPRING
12	4	2C18PNHD	#2-56 X 1/4" UNC PHIL PAN HEAD SCREW
13	1	2R4DOWS	Ø2.00MM X 4.00MM L STNLS DOWEL PIN
14	1	93600A050	M1.5 DIAMETER , 4MM LENGTH SST DWL PIN
15	138	CS1562-DE	PIN CONTACT

UNLESS OTHERWISE SPECIFIED DIMENSIONS ARE IN MILLIMETERS TOLERANCES DECIMALS .X ± .1 .XX ± .05 .XXX ± .030 ANGLES ±1'	DRAWN V Mojica	4/24/2015	 Contech Solutions Incorporated 631 Montague avenue San Leandro, Ca 94577
	CHECKED	9/2/2019	
	QA		TITLE
	MFG		P# CSQFN41-CS1562-FCH1
APPROVED		SIZE C	DWG NO CSQFN41-CS1562-FCH1
MATERIAL		SCALE	REV B
			SHEET 7 OF 7