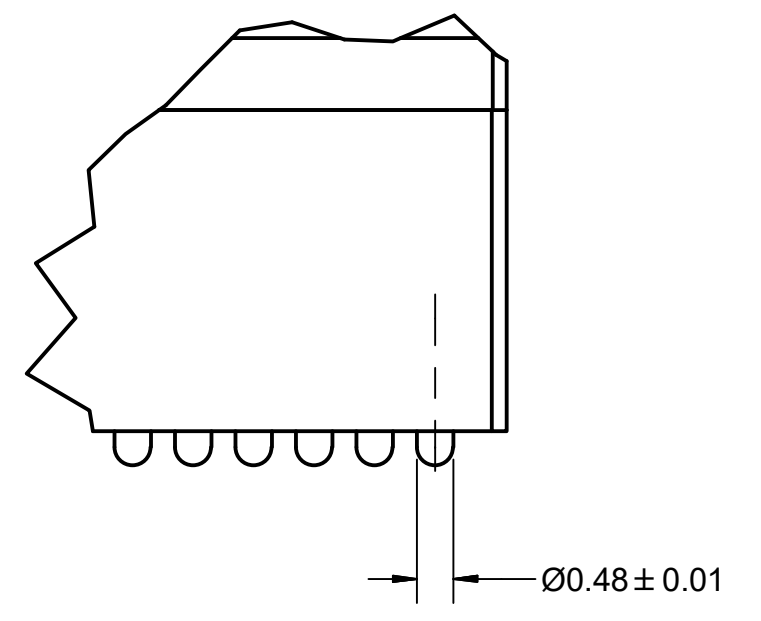
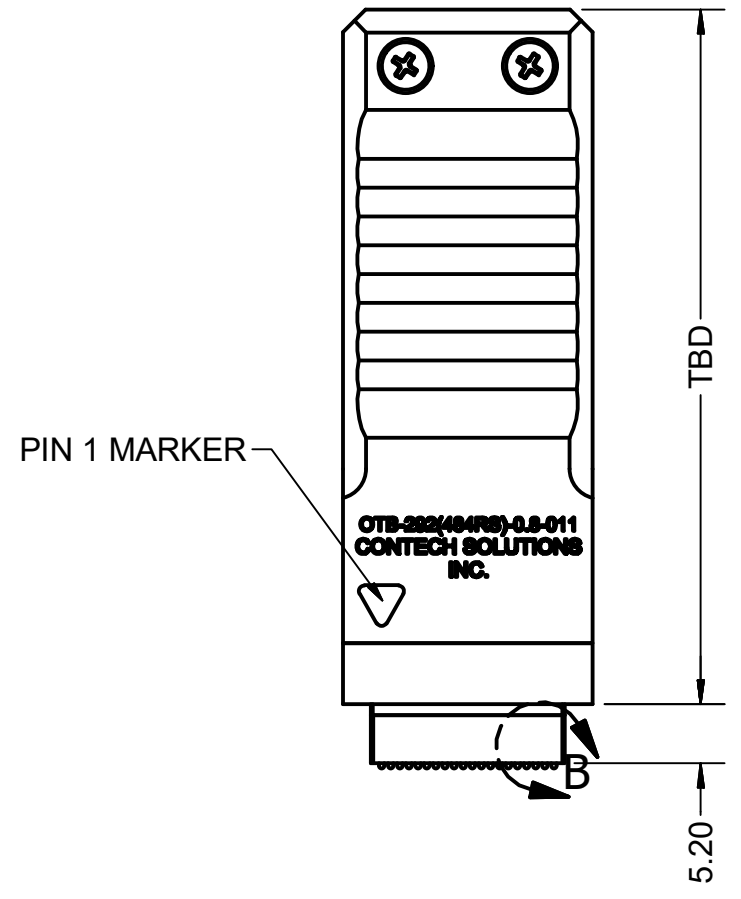
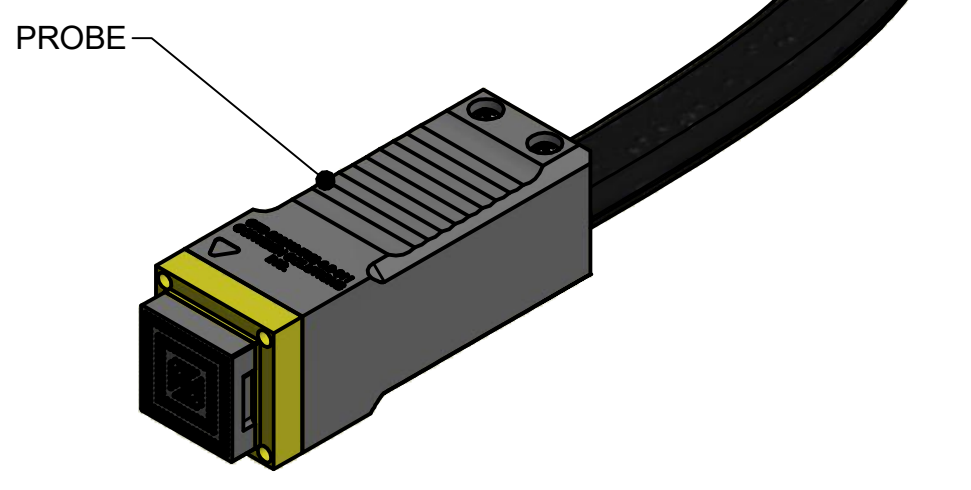
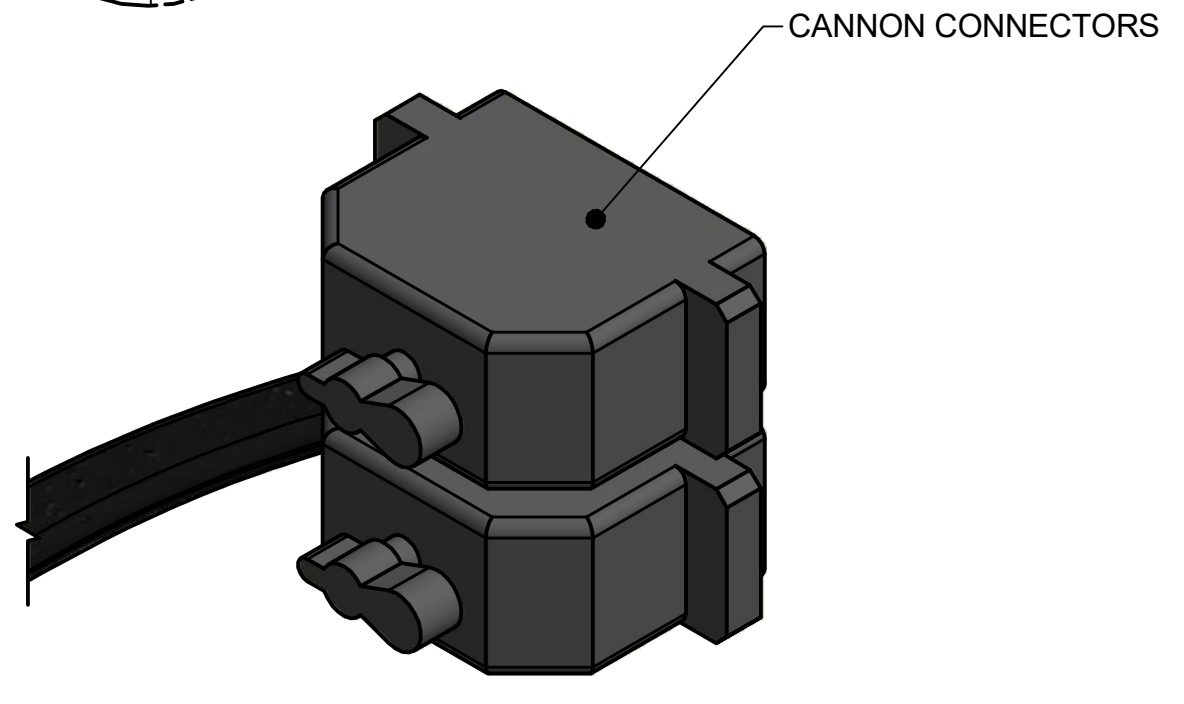
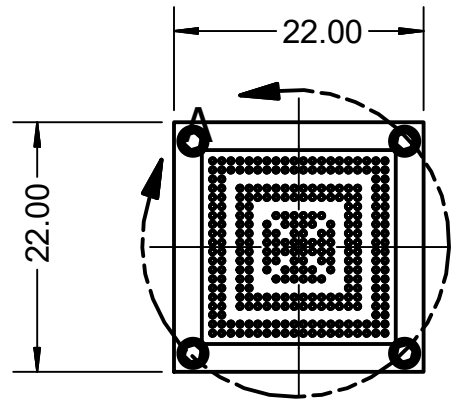
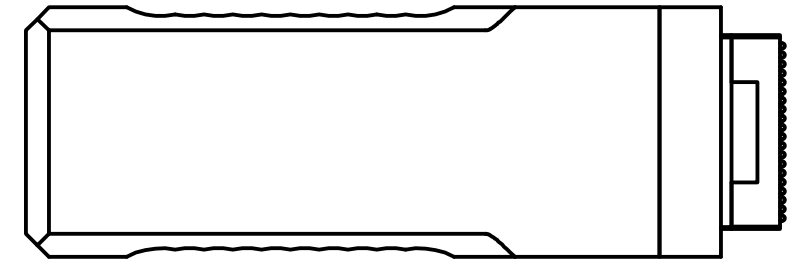



DETAIL A
SCALE 4 : 1



DETAIL B
SCALE 10 : 1



UNLESS OTHERWISE SPECIFIED DIMENSIONS ARE IN MILLIMETERS TOLERANCES DECIMALS .X ± .1 .XX ± .05 .XXX ± .030 ANGLES ±1°	DRAWN V Mojica	4/20/2020	 Contech Solutions Incorporated 631 Montague avenue San Leandro, Ca 94577
	CHECKED	4/21/2020	
	QA		TITLE
	MFG		DRAWING FOR CUSTOM TEST PROBE ENPLAS PROBE-OTB292(484RS)-0.80-11
APPROVED		SIZE C	DWG NO PROBE-OTB292(484RS)-0.80-11
MATERIAL		SCALE	REV A
			SHEET 1 OF 1